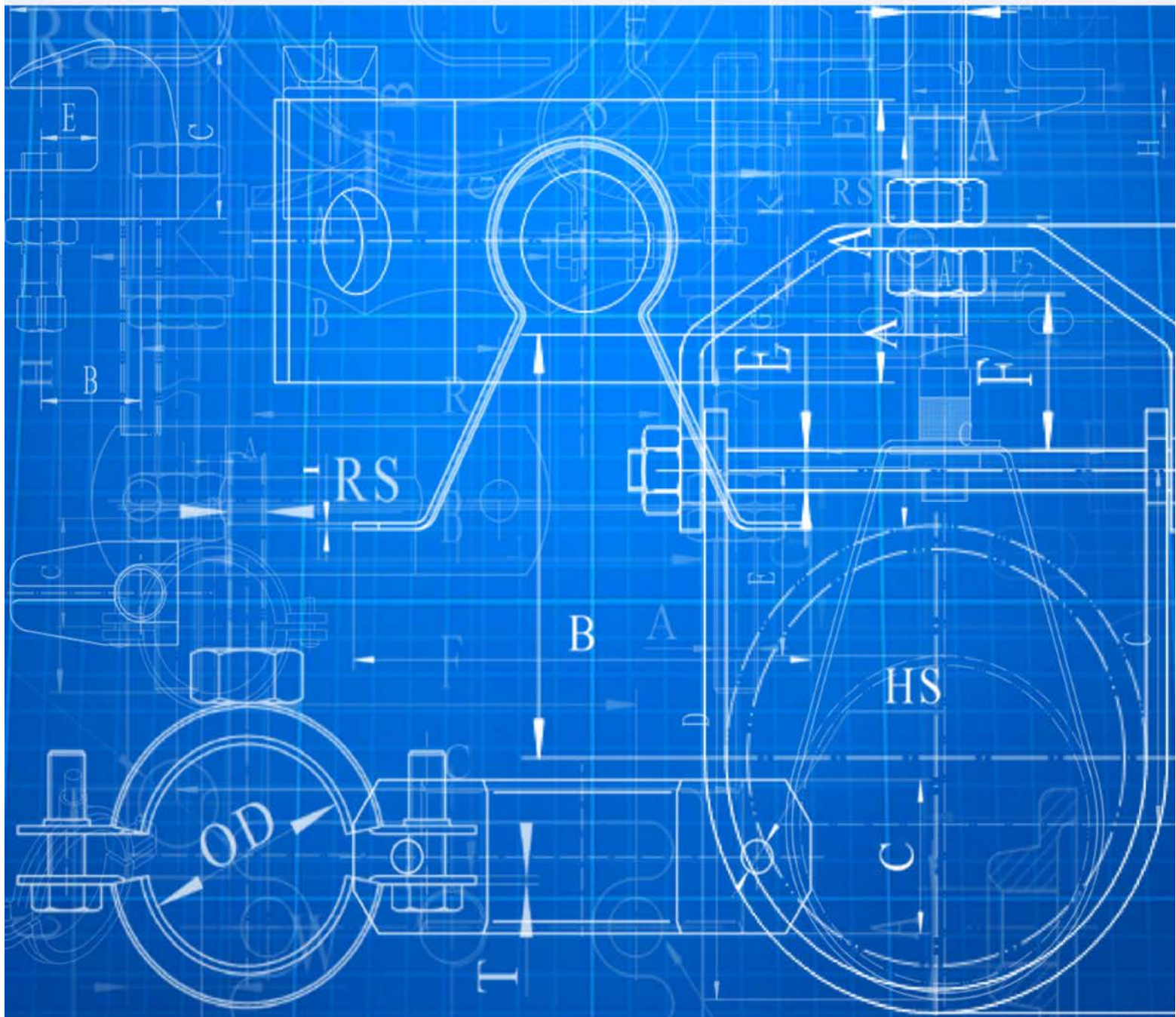


AIMCO*

INTERNATIONAL GROUP

Pipe Hangers & Supports



What we aim for:

Aimco International Group Corp.'s mission is to provide our customers with the highest quality products for the best value. Combining superior quality products with our world-class service, Aimco International has had unparalleled success in becoming a leading distributor of Pipe Hangers & Supports, Strut Channels & Fittings, Electrical & OEM Products, and Rigging & Tie-Down Hardware in the North American market.

As a manufacturer, we understand the importance of economy of scale and competitive advantage, thus our partnership with international manufacturers as well as domestic manufacturers provide our customers access to the most comprehensive line of products available in the industry. In fact, some of our overseas partners are the same factories providing the same products to some of the largest national manufacturers in North America.

Located in Toronto Canada, Aimco International is a privately owned Canadian company, our state-of-the-art facility contains an extensive inventory which helps guarantee customer satisfaction. By having a large and ready-to-ship inventory system, we strive to process and ship out orders on the same day or next day.

Our value is to adhere to the highest industry standards. Our management team has over a century of combined experience in the industry, supported by a team of engineers to help design specific products if a unique application arises. Aimco International's sales professionals know their business, understand their customers' needs, and make those needs their top priority. We meet customers' challenges with resourceful, innovative answers and unequalled commitment to insure customer success.

Aimco International Group Corp. uses its extensive years of manufacturing experience and partnership with qualified suppliers throughout the world to provide top quality products at competitive prices. Our goal is to

continue to provide top quality products and maximize profits for our valued customers.

Aimco International - Aiming to Build a Better Future

PIPE HANGERS AND SUPPORTS

Aimco International Group Corp.

Pipe Hangers and Supports General Specifications

The specifications in this catalogue complies with the engineering principles and standards from Manufacturers' Standardization Society (MSS), and other pertinent documents. The specifications are intended as a guide only, and it is the design engineer's responsibility to use it in conjunction with the data found in this catalogue to determine the best product or products for the user's application.

I. MATERIAL DESIGN AND MANUFACTURE

All pipe hangers and supports shall be manufactured to comply with the latest edition of Manufactures' Standardization Society. Where applicable, design and manufacture of these products should also conform to ANSI/ASME Code for Pressure Piping B31.1.

II. SELECTION

A) STANDARDS

All selection and installation of pipe hangers and supports shall conform to Manufactures' Standardization Society (MSS) SP-58 & SP-69 and other specifications that may apply which are listed in this document.

B) LOAD CALCULATIONS

Pipe hangers, supports, anchors and restraints must be selected to withstand all static and dynamic loading conditions which act upon the piping system and associated equipment. Piping supports and equipment must be considered as a total system and appropriate balance calculations made to determine load forces at critical stress points.

Loading conditions to be considered may include but are not limited to:

1. The total load of pipe, fittings, valves, insulation and any expected contents of the pipe.
2. Thermal expansion and contraction.
3. Stress from cycling of equipment or process.
4. Vibration transmitted to or from equipment or terminal connection.
5. Wind, snow or ice loading on outdoor piping.
6. Loading due to seismic forces if required by code or specification.

C) STRUCTURAL LOADS

Static and dynamic forces at points of attachment must be considered to help ensure structural integrity of buildings or equipment. Pipe hangers and supports must be selected so as to minimize the effect of piping system loading on the structure.

D) MATERIALS

1. Appropriate materials and protective coatings shall be used to prevent failure from environmental and galvanic corrosion.
2. Material that comes in contact with pipe shall be compatible with piping material so that neither has a deteriorating effect on the other.

E) PIPE ATTACHMENTS - HOT SYSTEMS

1. Hot systems are classified as those piping systems that have operating temperatures over 49°C (120°F).
2. Systems with operating temperatures over 232°C (450°F) require special designs for any pipe hangers or supports that are in direct contact with pipe. This is important in determining the raw materials needed as required by Manufactures' Standardization Society (MSS) SP-58 & SP-69.
3. If piping is insulated, the connection of the pipe attachments to the pipe hanger rod shall be outside the insulation so that movement of the line will not cause damage to the insulation.

F) PIPE ATTACHMENTS - AMBIENT SYSTEMS

Ambient systems are classified as those piping systems that have operating temperatures between 16°C (60°F) and 48°C (119°F).

G) PIPE ATTACHMENTS - COLD SYSTEMS

1. Cold systems are classified as those piping systems that have operating temperature below 16°C (60°F).
2. Pipe hangers exposed to temperatures below -40°C (-40°F) require special design by the design engineer.

III. FINISHES

A) ZINC ELECTRO-GALVANIZED (ASTM B633)

This type of coating is recommended for use indoors in relatively dry areas. The steel is submersed in a bath of zinc salts, through the process of electrolysis, a coating of pure zinc adheres to the steel with a molecular bond. A maximum of 0.5 mils of zinc can be applied using this method.

B) PRE-GALVANIZED (ASTM A653)

This type of coating is suitable for extended exposure in dry or mildly corrosive atmospheres but not generally recommended for use outdoors in industrial environments. Also known as "mill galvanized" or "hot-dip mill galvanized". Pre-Galvanized coatings are produced by rolling the steel coils or sheets through molten zinc, at the steel mill, the material is then cut or slit to size. Coating thickness is 0.90 ounces per square foot of steel surface. Zinc near the uncoated edges or weld areas becomes a sacrificial anode which protects the bare areas.

C) HOT-DIP GALVANIZED (ASTM A123/A153)

Recommended for prolonged outdoor exposure and will usually protect steel in most atmospheric environments. After fabrication the part is immersed in a bath of molten zinc. A metallurgical bond is formed resulting in a zinc coating that coats all surfaces including edges. Please note that some items cannot be hot-dip galvanized due to design, tolerances or threaded components. Threaded components on hot-dip galvanized products will be zinc electro-galvanized.

D) EPOXY COATING

Designed for use with copper tubing. This coating provides a superior level of corrosion protection compared to the traditional copper plating finish. It also insulates against dissimilar metal contact, thus preventing electrolysis. During the coating process, the parts are zinc plated to a thickness of 0.0002 inches, the copper or black color epoxy powder is applied by an electrostatic method, then the coated parts are baked at 82°C for 20 minutes.

E) COPPER PLATING

This coating is designed for copper tubing installations. The coating is intended to identify the product size only. This finish is not intended for corrosion resistance.

F) PVC COATING

PVC coating helps reduce noise and protect the pipe or tubing from the metal surface of the hanger. Corrosion resistance protection is minimal.

IV. NOTE

All dimensions are in inches unless otherwise noted.

Table of Contents

PICTORIAL INDEX	i – viii
BEAM CLAMPS	1.1 – 1.16
Universal Beam Clamp with Tapped Hole	1.1
BC Beam Clamp.....	1.2
Steel Beam Clamp.....	1.3
Insulator Electrical Beam Clamp.....	1.4
Small Mouth Beam Clamp	1.5
Stainless Steel Small Mouth Beam Clamp	1.6
Wide Mouth Beam Clamp	1.7
Stamped C-Clamp	1.8
Malleable C-Clamp.....	1.9
Purlin Clamp	1.10
Stamped Beam Clamp Top Mount	1.11
Adjustable Center Load Beam Clamp with J Bolt	1.12
Right Angle Pipe and Conduit Clamp.....	1.13
Center Beam Clamp.....	1.14
Retaining Strap	1.15
Two Hole Retainer Strap.....	1.16
CLEVIS HANGERS.....	2.1 – 2.6
Standard Clevis Hanger.....	2.1
Light Duty Clevis Hanger.....	2.2
Copper Epoxy/Plated Clevis Hanger	2.3
AWWA Ductile AC Transite Clevis Hanger.....	2.4
Clevis Hanger with Insulation Shield	2.5-2.6
SWIVEL RING HANGERS.....	3.1 – 3.4
J-Hanger	3.1
Swivel Ring Hanger	3.2
Copper Epoxy/Plated Swivel Ring Hanger	3.3
Black Epoxy Swivel Ring Hanger	3.4
PIPE AND RISER CLAMPS	4.1 – 4.8
Bolt Close Conduit and Pipe Clamp	4.1
Standard Riser Clamp	4.2

Copper Epoxy/Plated Riser Clamp4.3

Split Ring Hanger Hinged4.4

Copper Epoxy/Plated Split Ring Hanger Hinged4.5

Stainless Steel Split Ring Hanger Two Screw4.6

2-Bolt Pipe Clamp4.7

3-Bolt Pipe Clamp4.8

CPVC CLAMPS 5.1 – 5.4

Stand Off Two Hole Strap for CPVC5.1

Wraparound Strap for CPVC5.2

Two Hole Strap for CPVC5.3

Side Mount Strap for CPVC5.4

THREADED ACCESSORIES 6.1 – 6.13

Seismic Hanger Rod Stiffener6.1

Rod Stiffener6.2

Standard U-Bolt6.3

Plain Standard U-Bolt6.4

Weldless Eye Nut6.5

Forged Steel Clevis6.6

Malleable Eye Socket6.7

Coach Screw Rod6.8

Turnbuckle6.9

Turnbuckle Adjuster6.10

Rod Coupling6.11

Extension Piece6.12

All Threaded Rod6.13

ATTACHMENTS 7.1 – 7.11

Aluminum Q-Deck Hanger7.1

Aluminum Ceiling Flange7.2

45° Bracing Attachment7.3

Steel Washer Plate7.4

Ceiling Flange7.5

Steel Eye Socket Rod Hanger7.6

Offset Steel Eye Socket Rod Hanger7.7

Side Beam Bracket7.8

Side Beam Attachment7.9

TABLE OF CONTENTS

Welded Beam Attachment with Bolt and Nut.....	7.10
Welded Beam Attachment without Bolt and Nut	7.11
PIPE STAYS AND STRAPS.....	8.1 – 8.8
Bell Hanger	8.1
Standard Pipe Stay.....	8.2
Extended Pipe Stay	8.3
Double Pipe Stay.....	8.4
2-Hole Pipe Strap	8.5
Copper Epoxy 2-Hole Pipe Strap.....	8.6
EMT 1-Hole Strap.....	8.7
Rigid 1-Hole Strap	8.8
1-Hole Malleable Clamp	8.9
PIPE ROLLER SUPPORTS.....	9.1 – 9.9
Long Pipe Roll	9.1
Short Pipe Roll	9.2
Adjustable Roller Hanger.....	9.3
Adjustable 2-Rod Roller Hanger	9.4
Adjustable 2-Rod Roller Support	9.5
Roller Chair	9.6
Short Roller Stand.....	9.7
Pipe Roller Stand.....	9.8
Pipe Roller End Socket	9.9
EPDM RUBBER LINED CLAMPS.....	10.1 – 10.2
2-Bolt Rubber Lined Clamp.....	10.1
Superfix Standard Duty.....	10.2
MISCELLANEOUS PRODUCTS	11.1 – 11.2
Stud Plate.....	11.1
Cast Iron Wall Plate	11.2
TECHNICAL DATA	I – VIII
Schedule 40 Steel Pipe Data	I
Schedule 80 Steel Pipe Data	II
AWWA Ductile Iron Pipe Data	III
Copper Tubing (Type L) Data	IV
Copper Tubing (Type K) Data.....	IV

Recommended Hanger Spacing and Rod Size for Copper Tubing V

Regular Schedule Glass Pipe Data V

Heavy Schedule Glass Pipe Data V

Schedule 40 PVC Plastic Pipe Data VI

Schedule 80 PVC Plastic Pipe Data VI

Spacing of Hangers for Schedule 40 PVC Plastic Pipe Data VII

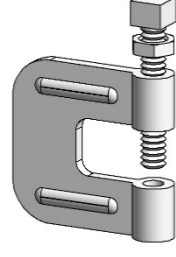
Spacing of Hangers for Schedule 80 PVC Plastic Pipe Data VII

Rod Size as Determined by Steel Pipe Size for Fire Protection VIII

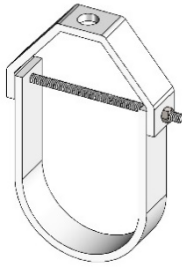
Rod Size as Determined by Copper Tubing Size for Fire Protection VIII

Hanger Rod Load Capacities – Hot Rolled Steel Rod VIII

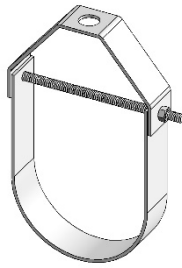
BEAM CLAMPS

 <p>A-BC26 Universal Beam Clamp with Tapped Hole Page 1.1</p>	 <p>A-BC BC Beam Clamp Page 1.2</p>	 <p>A-BC200 Steel Beam Clamp Page 1.3</p>	 <p>A-405Z Insulator Electrical Beam Clamp Page 1.4</p>
 <p>A-FIG 406 Small Mouth Beam Clamp Page 1.5</p>	 <p>A-FIG 406SS Stainless Steel Small Mouth Beam Clamp Page 1.6</p>	 <p>A-FIG 407 Wide Mouth Beam Clamp Page 1.7</p>	 <p>A-FIG 201Z Stamped C-Clamp Page 1.8</p>
 <p>A-FIG 301 Malleable C-Clamp Page 1.9</p>	 <p>A-FIG 404 Purlin Clamp Page 1.10</p>	 <p>A-SBC Stamped Beam Clamp Top Mount Page 1.11</p>	 <p>A-363Z Adjustable Center Load Beam Clamp with J Bolt Page 1.12</p>
 <p>A-RA Right Angle Pipe and Conduit Clamp Page 1.13</p>	 <p>A-FIG 410 Center Beam Clamp Page 1.14</p>	 <p>A-FIG 416 Retaining Strap Page 1.15</p>	 <p>A-35RS Two Hole Retainer Strap Page 1.16</p>

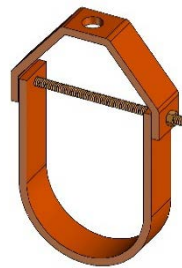
CLEVIS HANGERS



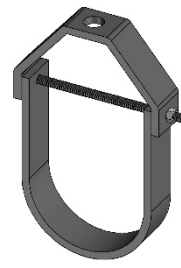
A-FIG 24Z
Standard Clevis Hanger
Page 2.1



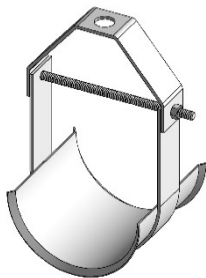
A-FIG 22Z
Light Duty Clevis Hanger
Page 2.2



A-FIG 52
Copper Epoxy/Plated
Clevis Hanger
Page 2.3

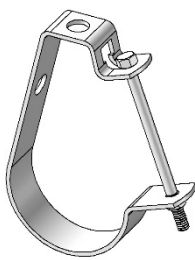


A-FIG 27AC
AWWA Ductile AC
Transite Clevis Hanger
Page 2.4

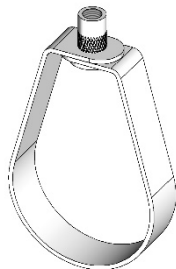


A-403
Clevis Hanger with
Insulation Shield
Page 2.5 - 2.6

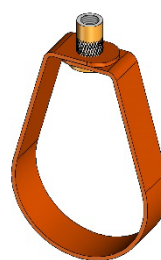
SWIVEL RING HANGERS



A-418
J-Hanger
Page 3.1



A-FIG 41
Swivel Ring Hanger
Page 3.2

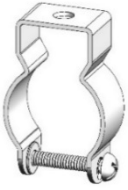



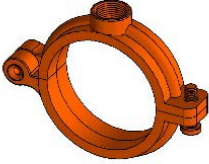

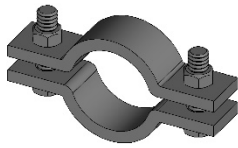
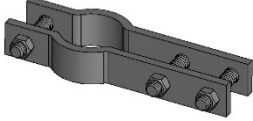


A-FIG 42
Copper Epoxy/Plated
Swivel Ring Hanger
Page 3.3

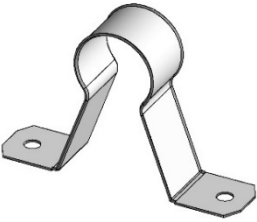
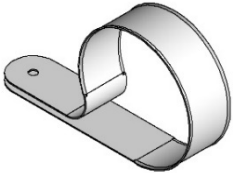
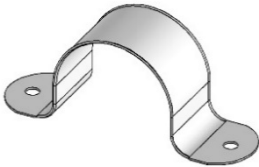
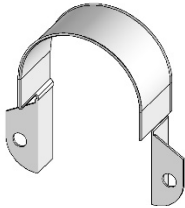


A-FIG 43
Black Epoxy Swivel Ring
Hanger
Page 3.4

PIPE AND RISER CLAMPS

 <p>A-CD Bolt Close Conduit and Pipe Clamp Page 4.1</p>	 <p>A-FIG 82Z Standard Riser Clamp Page 4.2</p>	 <p>A-FIG 85 Copper Epoxy/Plated Riser Clamp Page 4.3</p>	 <p>A-FIG 38Z Split Ring Hanger Hinged Page 4.4</p>
 <p>A-FIG 38C Copper Epoxy/Plated Split Ring Hanger Hinged Page 4.5</p>	 <p>A-FIG 38SS Stainless Steel Split Ring Hanger Two Screw Page 4.6</p>	 <p>A-FIG 31 2-Bolt Pipe Clamp Page 4.7</p>	 <p>A-FIG 33M 3-Bolt Pipe Clamp Page 4.8</p>

CPVC CLAMPS

 <p>A-SOSR Stand Off Two Hole Strap for CPVC Page 5.1</p>	 <p>A-107 Wraparound Strap for CPVC Page 5.2</p>	 <p>A-108 Two Hole Strap for CPVC Page 5.3</p>	 <p>A-109 Side Mount Strap for CPVC Page 5.4</p>
---	--	---	--

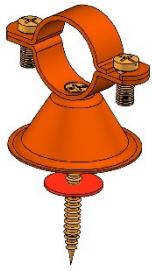
THREADED ACCESSORIES

 <p>A-SC228 Seismic Hanger Rod Stiffener Page 6.1</p>	 <p>A-901 Rod Stiffener Page 6.2</p>	 <p>A-FIG 14Z Standard U-Bolt Page 6.3</p>	 <p>A-FIG 14 Plain Standard U-Bolt Page 6.4</p>
 <p>A-FIG 64 Weldless Eye Nut Page 6.5</p>	 <p>A-FIG 63 Forged Steel Clevis Page 6.6</p>	 <p>A-FIG 65 Malleable Eye Socket Page 6.7</p>	 <p>A-FIG 60WZ Coach Screw Rod Page 6.8</p>
 <p>A-FIG 68H Turnbuckle Page 6.9</p>	 <p>A-FIG 114H Turnbuckle Adjuster Page 6.10</p>	 <p>A-FIG 62 Rod Coupling Page 6.11</p>	 <p>A-FIG 411 Extension Piece Page 6.12</p>
 <p>A-FIG 54 All Threaded Rod Page 6.13</p>			

ATTACHMENTS

 <p>A-QD Aluminum Q-Deck Hanger Page 7.1</p>	 <p>A-CF Aluminum Ceiling Flange Page 7.2</p>	 <p>A-FIG 115 45° Bracing Attachment Page 7.3</p>	 <p>A-2x2x9/16 Steel Washer Plate Page 7.4</p>
 <p>A-FIG 28Z Ceiling Flange Page 7.5</p>	 <p>A-37 Steel Eye Socket Rod Hanger Page 7.6</p>	 <p>A-38 Offset Steel Eye Socket Rod Hanger Page 7.7</p>	 <p>A-A350 Side Beam Bracket Page 7.8</p>
 <p>A-327 Side Beam Attachment Page 7.9</p>	 <p>A-FIG 66 Welded Beam Attachment with Bolt and Nut Page 7.10</p>	 <p>A-FIG 67 Welded Beam Attachment without Bolt and Nut Page 7.11</p>	

PIPE STAYS AND STRAPS



A-FIG 129
Bell Hanger

Page 8.1



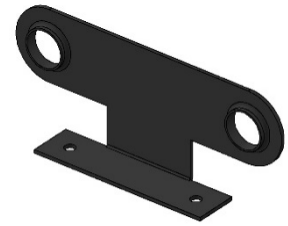
A-FIG 32S
Standard Pipe Stay

Page 8.2



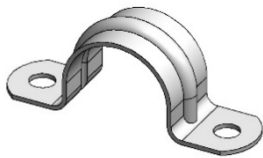
A-FIG 32E
Extended Pipe Stay

Page 8.3



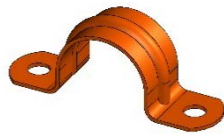
A-FIG 32D
Double Pipe Stay

Page 8.4



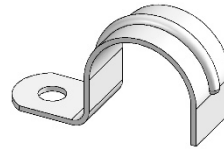
A-FIG 45
2-Hole Pipe Strap

Page 8.5



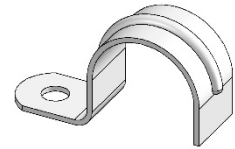
A-FIG 45C
Copper Epoxy 2-Hole
Pipe Strap

Page 8.6



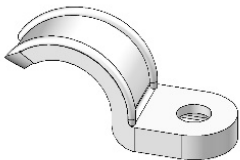
A-FIG 44E
EMT 1-Hole Strap

Page 8.7



A-FIG 44
Rigid 1-Hole Strap



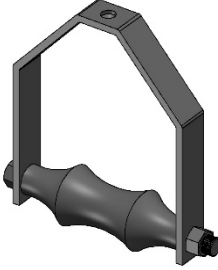


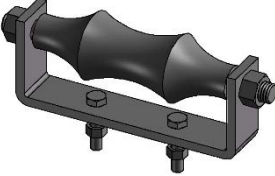
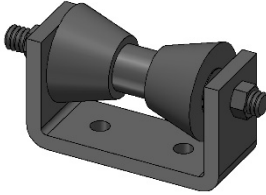
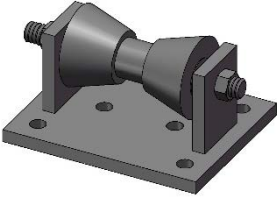

Page 8.8



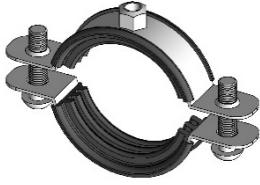
A-FIG 132
1-Hole Malleable Clamp

Page 8.9

PIPE ROLLER SUPPORTS

 <p>A-FIG 92 Long Pipe Roll Page 9.1</p>	 <p>A-FIG 92S Short Pipe Roll Page 9.2</p>	 <p>A-FIG 93 Adjustable Roller Hanger Page 9.3</p>	 <p>A-FIG 95 Adjustable 2-Rod Roller Hanger Page 9.4</p>
 <p>A-FIG 95S Adjustable 2-Rod Roller Support Page 9.5</p>	 <p>A-FIG 94 Roller Chair Page 9.6</p>	 <p>A-FIG 94S Short Roller Stand Page 9.7</p>	 <p>A-FIG 279S Pipe Roller Stand Page 9.8</p>
 <p>A-FIG 95ES Pipe Roller End Socket Page 9.9</p>			

EPDM RUBBER LINED CLAMPS

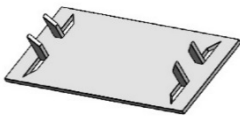


A-4300
2-Bolt Rubber Lined
Clamp
Page 10.1

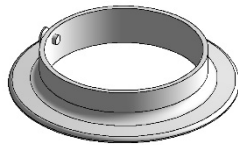


A-454
Superfix Standard Duty
Page 10.2

MISCELLANEOUS PRODUCTS



A-FIG 501Z
Stud Plate
Page 11.1



A-FIG 395
Cast Iron Wall Plate
Page 11.2

Section 1: Beam Clamps

A-BC26

Zinc

UNIVERSAL BEAM CLAMP WITH TAPPED HOLE

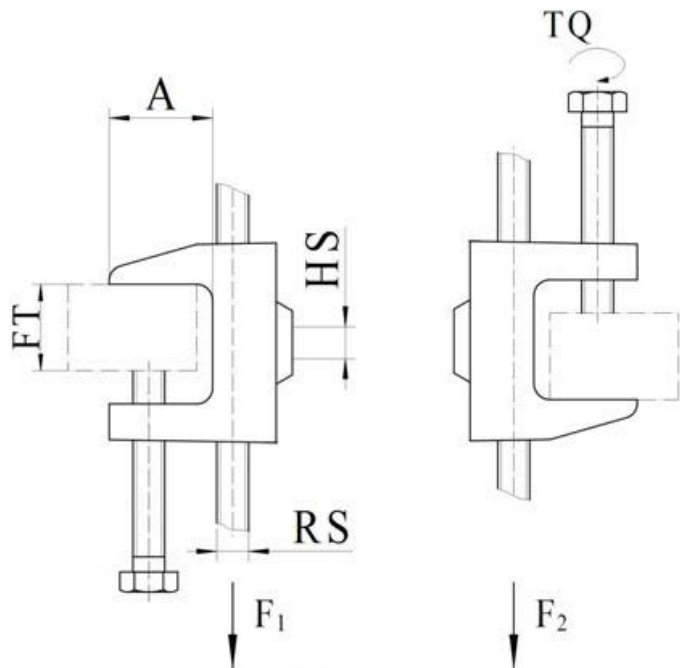
FUNCTION: Designed to attach 1/4" hanger rod from metal beams, channels, or angle iron. One through hole for easier installation of threaded rod.

APPROVALS: Complies with Manufactures' Standardization Society (MSS) SP-58 & SP-69 (Type 19). Complies with Federal Specifications A-A-1192A (Type 19).

MATERIAL: Malleable Iron

FINISH: Zinc Electro-Galvanized

NOTE: Set screw must be tightened and torqued onto the sloped side of the I-beam. Recognizing that torque wrenches are generally not used or available on many job sites, the set screw should be tightened so it contacts the I-beam, and then an additional 1/4" to 1/2" turn added.



Rod Size RS	Flange Thickness FT	Specification Data				Rec. Max. Load F1 (lbs.)	Rec. Max. Load F2 (lbs.)	Approx. Wt. Per 100 (lbs.)
		A	Hole Size HS	Screw Dia.	Torque TQ (ft lb)			
1/4	13/16 Max	13/16	1/4	1/4	4	250	100	18

This specification sheet is for reference only. Aimco International Group Corp. reserves the right to make changes to the design without prior notice.

A-BC

Armour

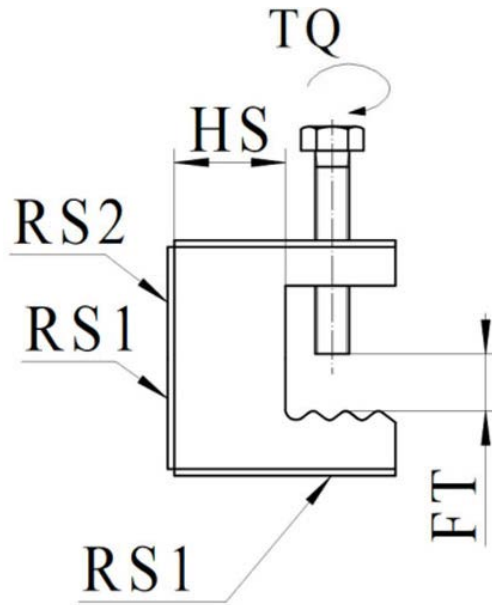
BC BEAM CLAMP

FUNCTION: Designed for attaching hanger rod or Spring Steel Fastener to I-beam.

MATERIAL: Spring Steel

FINISH: Armour

NOTE: Set screw must be tightened and torqued onto the sloped side of the I-beam.



Rod Size RS1	Specification Data				Rec. Max. Load (lbs.)	Approx. Wt. Per 100 (lbs.)
	Rod Size RS2	Hole Size HS	Flange Thickness FT	Torque TQ (inch lb)		
1/4	#10	7/16	1/2 Max	20	100	5.6

This specification sheet is for reference only. Aimco International Group Corp. reserves the right to make changes to the design without prior notice.

A-BC200	Zinc
A-BC400	Zinc

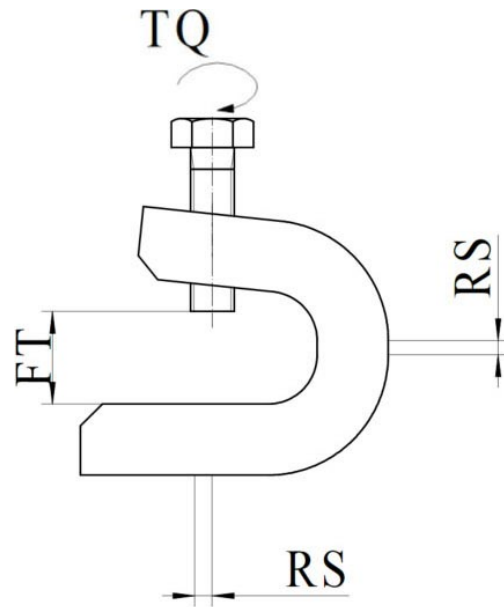
STEEL BEAM CLAMP

FUNCTION: Designed for attaching hanger rod or Spring Steel Fastener to I-beam.

MATERIAL: Steel

FINISH: Zinc Electro-Galvanized

NOTE: Set screw must be tightened and torqued onto the sloped side of the I-beam.



Rod Size RS	Specification Data		Rec. Max. Load (lbs.)	Approx. Wt. Per 100 (lbs.)
	Flange Thickness FT	Torque TQ (inch lb)		
1/4	1/2 Max	20	100	10
3/8	3/4 Max	20	200	28

This specification sheet is for reference only. Aimco International Group Corp. reserves the right to make changes to the design without prior notice.

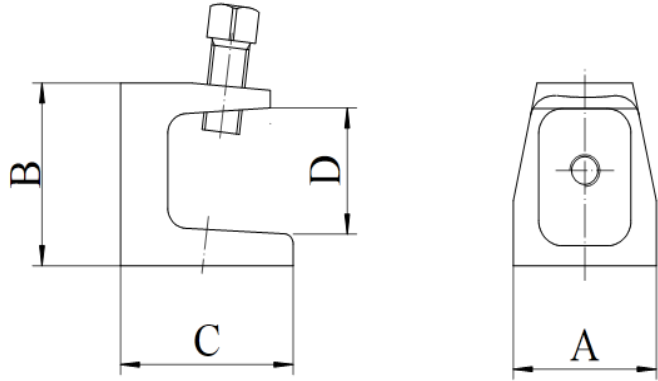
A-405Z	Zinc
A-405SS	SS

INSULATOR ELECTRICAL BEAM CLAMP

FUNCTION: Designed for attaching hanger rod to beam or framework where thickness does not exceed 1 1/8". Rod tap on both bottom and back of the clamp.

MATERIAL: Available in Malleable Iron and Stainless Steel

FINISH: Available in Zinc Electro-Galvanized and Stainless Steel



Rod Size A	Specification Data				Rec. Max. Load (lbs.)	Approx. Wt. Per 100 (lbs.)
	A	B	C	D		
1/4	1 3/16	1 3/8	1 3/8	3/4	335	23
5/16	1 3/16	1 3/8	1 3/8	3/4	335	23
3/8	2 1/16	1 3/4	1 7/8	1	525	65
1/2	2 3/8	2 1/8	2 3/8	1 1/8	1000	107

This specification sheet is for reference only. Aimco International Group Corp. reserves the right to make changes to the design without prior notice.

A-FIG 406	Plain
A-FIG 406Z	Zinc

SMALL MOUTH BEAM CLAMP

FUNCTION: Designed for attaching hanger rod to the flange of a beam or bar joist, where flange thickness does not exceed 3/4".

APPROVALS: Complies with Manufactures' Standardization Society (MSS) SP-58 & SP-69 (Type 19). Complies with Federal Specifications A-A-1192A (Type 19).

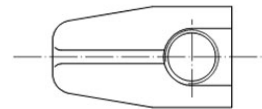
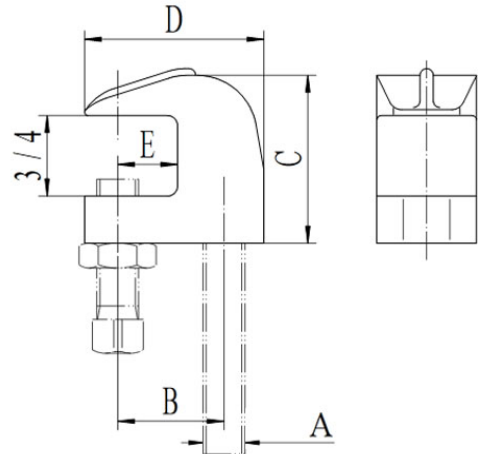
CERTIFICATIONS: Complies with Underwriters' Laboratories (UL) & (cUL) (EX16266, 406), (EX16204, JKL), Factory Mutual (FM), sizes 3/8" - 1/2" UL, cUL, FM approved

MATERIAL: Malleable Iron, with hardened steel cup point set screw

FINISH: Available in Plain and Zinc Electro-Galvanized

NOTE: Maximum recommended set screw torque value for 3/8"-16 set screw size is 60 in.-lbs. (nm 6.8). Caution should be taken not to over tighten set screw.

Set screw must be tightened and torqued onto the sloped side of the I-beam. Recognizing that torque wrenches are generally not used or available on many job sites, the set screw should be tightened so it contacts the I-beam, and then an additional 1/4" to 1/2" turn added.



Rod Size A	Specification Data				Set Screw Size	Max. Pipe Size	Rec. Max. Load (lbs.)	Approx. Wt. Per 100 (lbs.)
	B	C	D	E				
3/8	7/8	1 1/2	1 5/8	1/2	3/8-16	4	400	33
1/2	1	1 1/2	1 11/16	1/2	3/8-16	4	500	34
5/8	1 1/16	1 1/2	1 7/8	5/8	3/8-16	5	600	39
3/4	1 5/16	1 3/4	2 3/8	5/8	3/8-16	6	800	63
7/8	1 5/16	1 3/4	2 3/8	5/8	1/2-13	8	1200	60

This specification sheet is for reference only. Aimco International Group Corp. reserves the right to make changes to the design without prior notice.

A-FIG 406SS

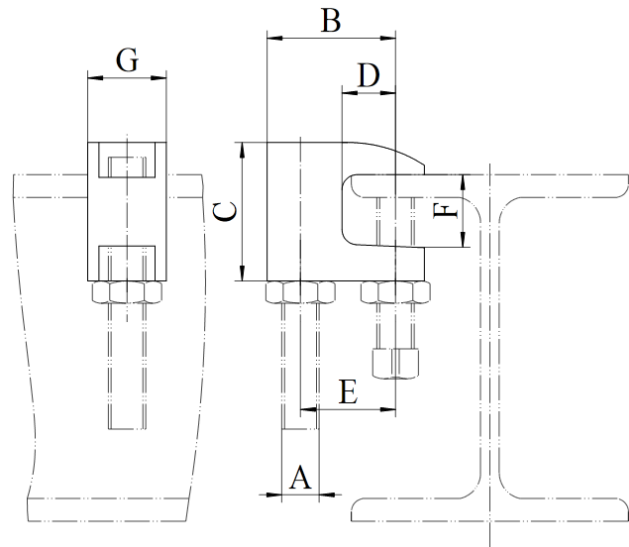
SS

STAINLESS STEEL SMALL MOUTH BEAM CLAMP

FUNCTION: Designed for attaching hanger rod to the flange of a beam or bar joist.

APPROVALS: Complies with Manufactures' Standardization Society (MSS) SP-58 & SP-69 (Type 19). Complies with Federal Specifications A-A-1192A (Type 19).

MATERIAL: Stainless Steel, with Stainless Steel cup point set screw



Rod Size A	Specification Data						Max. Pipe Size	Rec. Max. Load (lbs.)	Approx. Wt. Per 100 (lbs.)
	B	C	D	E	F	G			
3/8	1 1/4	1 1/2	1/2	7/8	3/4	7/8	4	350	32
1/2	1 5/16	1 1/2	1/2	1	3/4	7/8	4	470	32

This specification sheet is for reference only. Aimco International Group Corp. reserves the right to make changes to the design without prior notice.

A-FIG 407	Plain
A-FIG 407Z	Zinc

WIDE MOUTH BEAM CLAMP

FUNCTION: Designed for attaching hanger rod to the flange of a beam or bar joist, where the flange thickness does not exceed 1 1/4".

APPROVALS: Complies with Manufactures' Standardization Society (MSS) SP-58 & SP-69 (Type 19). Complies with Federal Specifications A-A-1192A (Type 19).

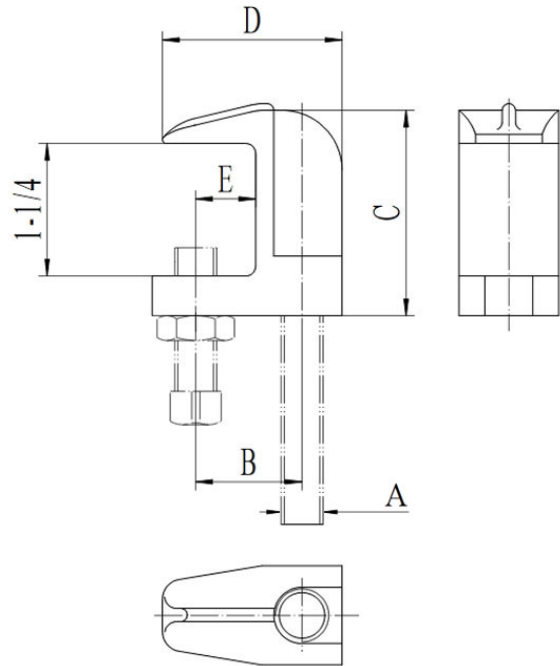
CERTIFICATIONS: Complies with Underwriters' Laboratories (UL) & (cUL) (EX16266, 407), (EX16204, JKH), Factory Mutual (FM), sizes 3/8" - 1/2" UL, cUL, FM approved

MATERIAL: Malleable Iron, with hardened steel cup point set screw.

FINISH: Available in Plain and Zinc Electro-Galvanized

NOTE: Maximum recommended set screw torque value for 3/8"-16 set screw size is 60 in.-lbs. (nm 6.8). Caution should be taken not to over tighten set screw.

Set screw must be tightened and torqued onto the sloped side of the I-beam. Recognizing that torque wrenches are generally not used or available on many job sites, the set screw should be tightened so it contacts the I-beam, and then an additional 1/4" to 1/2" turn added.



Rod Size A	Specification Data				Set Screw Size	Max. Pipe Size	Rec. Max. Load (lbs.)	Approx. Wt. Per 100 (lbs.)
	B	C	D	E				
3/8	7/8	2	1 5/8	1/2	3/8-16	4	400	37
1/2	7/8	2	1 5/8	1/2	3/8-16	4	500	35
5/8	1 3/8	2 1/4	2 1/8	3/4	3/8-16	5	850	74
3/4	1 1/2	2 1/2	2 1/2	3/4	3/8-16	6	900	87

This specification sheet is for reference only. Aimco International Group Corp. reserves the right to make changes to the design without prior notice.

A-FIG 201Z	Zinc
A-FIG 201SS	SS

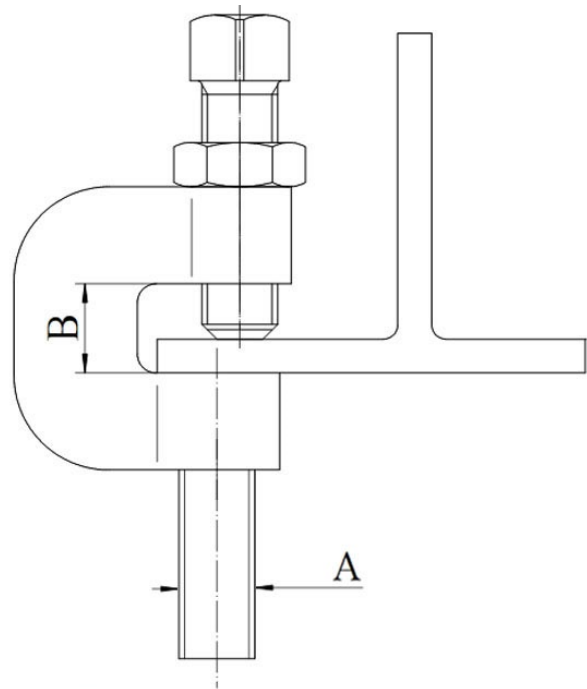
STAMPED C-CLAMP

FUNCTION: Designed for attaching hanger rod to the bottom flange of a beam or bar joist, where the beam flange thickness does not exceed 3/4". The hanger rod should make contact with the beam flange to ensure full engagement.

APPROVALS: Complies with Manufactures' Standardization Society (MSS) SP-58 & SP-69 (Type 23). Compiles with Federal Specification A-A-1192A (Type 23).

MATERIAL: Available in Carbon Steel with hardened steel cup set screw, and Stainless Steel with stainless steel cup set screw.

FINISH: Available in Zinc Electro-Galvanized and Stainless Steel



Rod Size A	Specification Data	Rec. Max. Load (lbs.)	Approx. Wt. Per 100 (lbs.)
	B		
3/8	3/4	400	41
1/2	3/4	500	42
5/8	3/4	550	60
3/4	3/4	630	68
7/8	3/4	700	188

This specification sheet is for reference only. Aimco International Group Corp. reserves the right to make changes to the design without prior notice.

A-FIG 301	Plain
A-FIG 301Z	Zinc

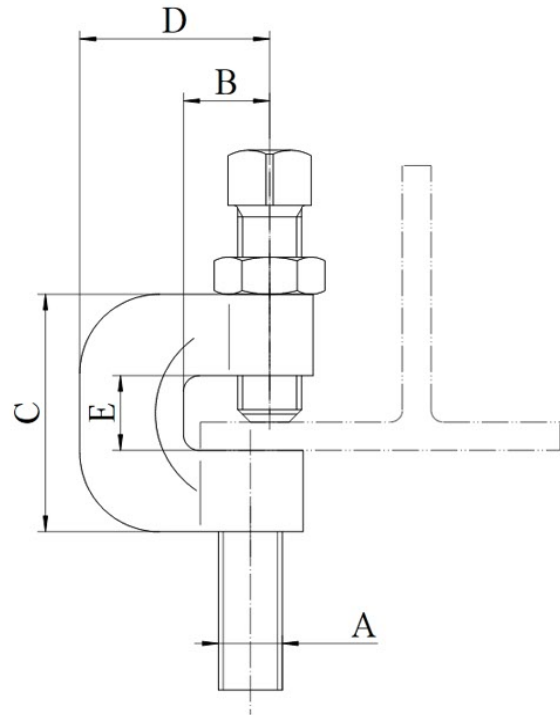
MALLEABLE C-CLAMP

FUNCTION: Designed for attaching hanger rod to the bottom flange of a beam. The hanger rod should make contact with the beam flange to ensure full engagement.

APPROVALS: Complies with Manufactures' Standardization Society (MSS) SP-58 & SP-69 (Type 23). Complies with Federal Specifications A-A-1192A (Type 23).

MATERIAL: Malleable Iron, with hardened steel cup set screw

FINISH: Available in Plain and Zinc Electro-Galvanized



Rod Size A	Specification Data				Pipe Size	Rec. Max. Load (lbs.)	Approx. Wt. Per 100 (lbs.)
	B	C	D	E			
3/8	5/8	1 3/4	1 7/16	3/4	1/2 to 2	350	31
1/2	5/8	1 3/4	1 7/16	3/4	2 1/2 to 3 1/2	500	32
5/8	5/8	1 29/32	1 13/32	3/4	4 to 5	550	42
3/4	5/8	2 1/16	1 1/2	3/4	6	630	51

This specification sheet is for reference only. Aimco International Group Corp. reserves the right to make changes to the design without prior notice.

A-FIG 404	Plain
A-FIG 404Z	Zinc

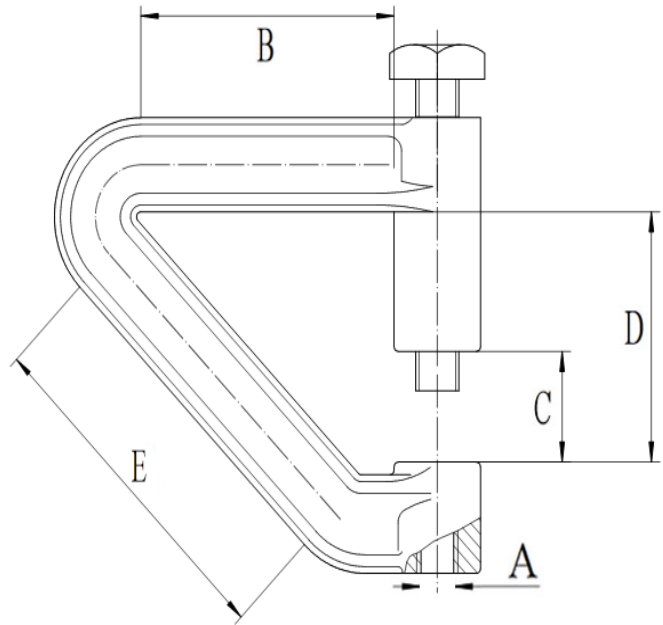
FUNCTION: Designed for use with large-lip rolled steel purlins to eliminate the need to modify steel purlin for standard C-Clamp. Supports 45° flanges up to 2" long, and 90° flanges up to 1 1/2" high.

APPROVALS: Complies with Manufacturers' Standardization Society (MSS) SP-58 & SP-69 (Type 23). Complies with Federal Specifications A-A-1192A (Type 23).

MATERIAL: Malleable Iron, with hardened steel set screw

FINISH: Available in Plain and Zinc Electro-Galvanized

PURLIN CLAMP



Rod Size A	Specification Data					Rec. Max. Load (lbs.)	Approx. Wt. Per 100 (lbs.)
	B	C	D	E	Max. Pipe Size		
3/8	1 1/4	15/16	1 5/8	1 13/16	4	400	82

This specification sheet is for reference only. Aimco International Group Corp. reserves the right to make changes to the design without prior notice.

A-SBC

Pre-Galv

STAMPED BEAM CLAMP TOP MOUNT

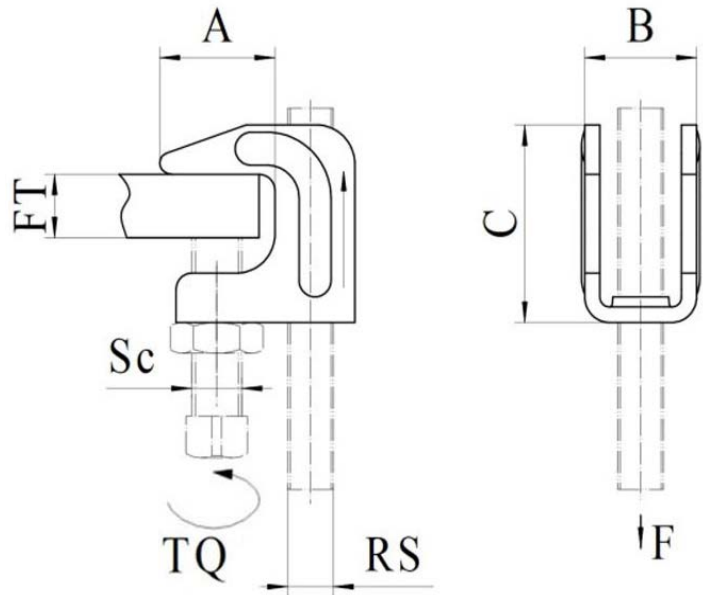
FUNCTION: Designed to allow structural attachment to metal beams, bar joist, channel, or angle iron in top mount position only, unless used on a parallel flange. The flange must be at least 3/16" thick and does not exceed 3/4".

APPROVALS: Complies with Manufactures' Standardization Society (MSS) SP-58 & SP-69 (Type 19). Complies with Federal Specifications A-A-1192A (Type 19).

MATERIAL: Carbon Steel

FINISH: Pre-Galvanized

NOTE: Set screw must contact the sloped side of the I-beam, channel, or other applicable building structure. Clamp must always be installed in top orientation with the arrow mark on clamp pointing up, unless used on a parallel flange. On parallel flange surfaces, the clamp may be attached to the upper or lower flange but must be in the top orientation. When a torque wrench is unavailable, the set screw should be tightened so it contacts the I-beam, and then an additional 1/4" to 1/2" turn added.



Rod Size RS	Flange Thickness FT	Specification Data					Rec. Max. Load F (lbs.)	Approx. Wt. Per 100 (lbs.)
		A	B	C	Screw Dia. SC	Torque TQ (ft lb)		
3/8	3/4 Max	0.925	0.85	1.58	3/8	5	500	20

This specification sheet is for reference only. Aimco International Group Corp. reserves the right to make changes to the design without prior notice.

A-363	Plain
A-363Z	Zinc

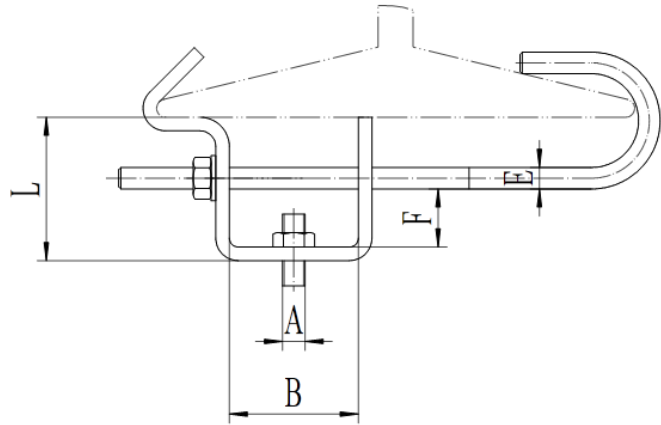
ADJUSTABLE CENTER LOAD BEAM CLAMP WITH J BOLT

FUNCTION: Designed to be used in the suspension of a hanger rod from an I-beam. The clamp is adjustable from 3 1/2" to 8", and can be used with flange thickness up to 3/4".

APPROVALS: Complies with Manufactures' Standardization Society (MSS) SP-58 & SP-69 (Type 27). Complies with Federal Specifications A-A-1192A (Type 27).

MATERIAL: Carbon Steel

FINISH: Available in Plain and Zinc Electro-Galvanized



Rod Size A	Flange Width		Specification Data					Rec. Max. Load (lbs.)	Approx. Wt. Per 100 (lbs.)
	Min.	Max.	B	E	F	L	Material		
3/8	3 1/2	8	2	3/8	1	2 3/4	3Ga x 1 1/4	300	98
1/2	3 1/2	8	2	1/2	15/16	2 3/4	3Ga x 1 1/2	700	138
5/8	3 1/2	8	2	5/8	7/8	2 3/4	3Ga x 1 3/4	1000	186

This specification sheet is for reference only. Aimco International Group Corp. reserves the right to make changes to the design without prior notice.

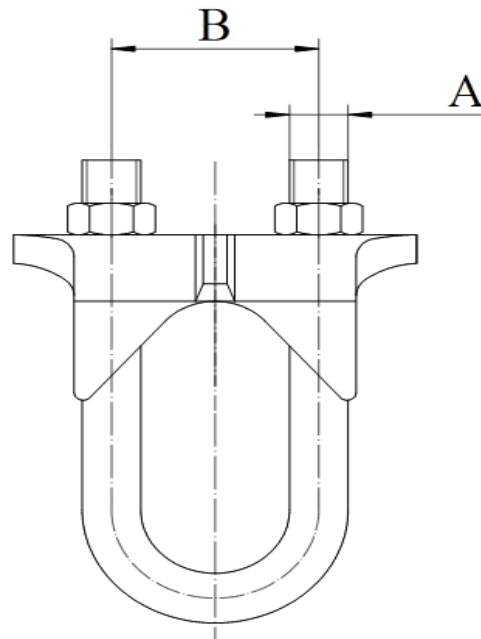
A-RA	HDG
A-RASS	SS

RIGHT ANGLE PIPE AND CONDUIT CLAMP

FUNCTION: Designed for anchoring pipe or conduit at a right angle to structural members.

MATERIAL: Available in Malleable Iron with carbon steel U-bolt and nuts, and Stainless Steel with Stainless Steel U-bolt and nuts.

FINISH: Available in Hot-Dip Galvanized and Stainless Steel



Pipe and Conduit Size	Specification Data		Flange Thickness	Rec. Max. Load (lbs.)	Approx. Wt. Per 100 (lbs.)
	Rod Size A	B			
3/8	1/4	1 11/16	3/4" Max	200	33
1/2	5/16	2	3/4" Max	250	41
3/4	5/16	2 5/16	3/4" Max	300	42
1	5/16	2 5/8	3/4" Max	400	47
1 1/4	5/16	2 7/8	3/4" Max	400	54
1 1/2	5/16	3 1/4	3/4" Max	500	57
2	3/8	3 7/8	3/4" Max	600	85
2 1/2	3/8	4 3/8	3/4" Max	700	106
3	3/8	5 1/8	3/4" Max	800	110
3 1/2	3/8	5 1/2	3/4" Max	900	128
4	3/8	6	3/4" Max	1000	140

This specification sheet is for reference only. Aimco International Group Corp. reserves the right to make changes to the design without prior notice.

A-FIG 410	Plain
A-FIG 410Z	Zinc

CENTER BEAM CLAMP

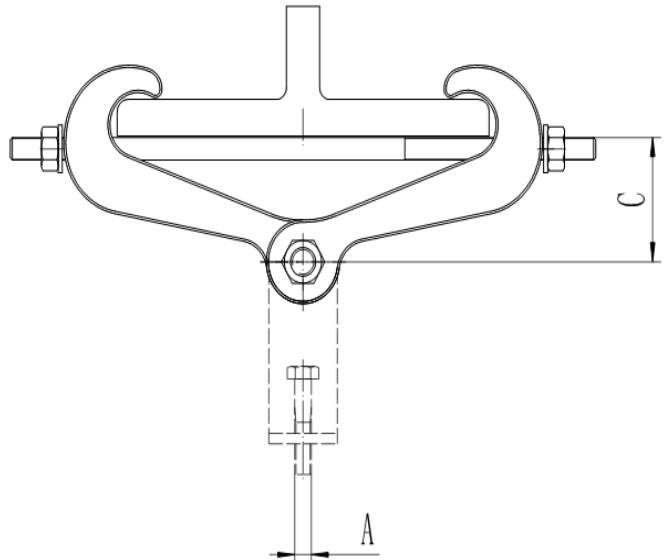
FUNCTION: Designed to be used in the suspension of a hanger rod from the center of an I-beam. The clamp's design allows the load to be distributed equally on either side of the beam. The clamp is adjustable from 2 3/8" to 7", and can be used with flange thicknesses up to 0.60". A-FIG 410 is usually used in conjunction with A-FIG 411 Extension Piece. An additional 1" or more of vertical adjustment is obtained when used with A-FIG 411 Extension Piece.

APPROVALS: Complies with Manufactures' Standardization Society (MSS) SP-58 & SP-69 (Type 30). Complies with Federal Specifications A-A-1192A (Type 30).

MATERIAL: Malleable Iron, with carbon steel hardware

FINISH: Available in Plain and Zinc Electro-Galvanized

NOTE: Order A-FIG 411 Extension Piece separately if required



A (7/8 Max. Rod)	Specification Data							Rec. Max. Load (lbs.)	Approx. Wt. Per 100 (lbs.)
	C Rod Take-Out for Width of Beam Flange						Bolt Dia.		
	2 3/8	3	4	5	6	7			
3/8 - 7/8	3 1/2	3 7/16	3 5/16	2 15/16	2 9/16	1 7/8	7/16	1365	249

This specification sheet is for reference only. Aimco International Group Corp. reserves the right to make changes to the design without prior notice.

A-FIG 416 Pre-Galv

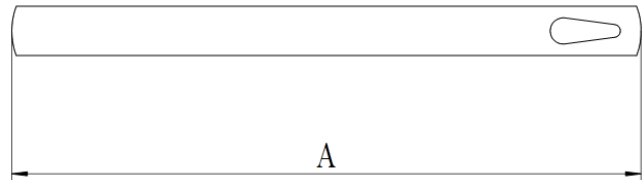
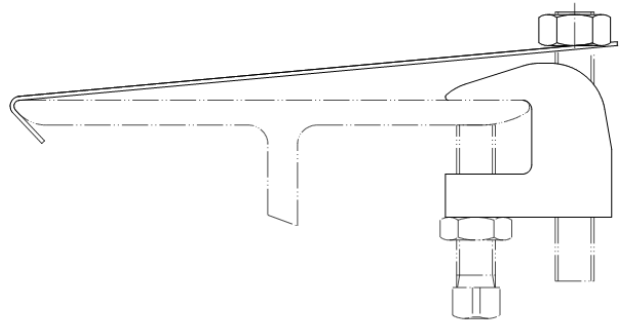
RETAINING STRAP

FUNCTION: Designed for use with Small Mouth Beam Clamp and Wide Mouth Beam Clamp to offer more secure fastening of beam clamps to beam where seismic protection is provided.

MATERIAL: Carbon Steel

FINISH: Pre-Galvanized

NOTE: The tear-drop hole accommodates 3/8" - 1/2" maximum bolt diameter. Add 2" to width of flange to determine minimum length of strap.



Length A	Specification Data	Approx. Wt. Per 100 (lbs.)
	Material	
6	18Ga x 1	8
9	18Ga x 1	12
12	18Ga x 1	16

This specification sheet is for reference only. Aimco International Group Corp. reserves the right to make changes to the design without prior notice.

A-35RS

Pre-Galv

TWO HOLE RETAINER STRAP

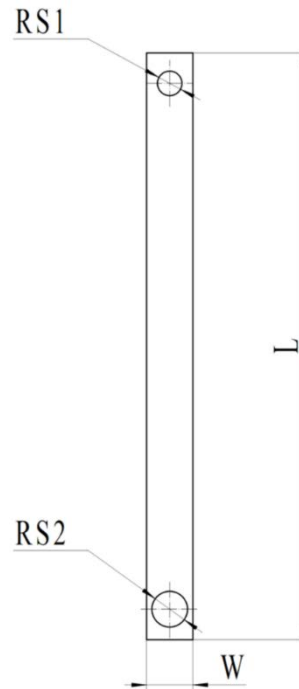
FUNCTION: Designed for use with Small Mouth Beam Clamp and Wide Mouth Beam Clamp to offer more secure fastening to a beam, where seismic protection is provided.

APPROVALS: Complies with National Fire Protection Association (NFPA) 13 requirements for hangers and fasteners subject to earthquakes.

MATERIAL: Carbon Steel

FINISH: Pre-Galvanized

NOTE: Use jam nut over hanger rod to secure retainer strap



Length L	Specification Data			Flange Width
	W	RS1	RS2	
6	15/16	3/8	1/2	4 Max
8	15/16	3/8	1/2	6 Max
10	15/16	3/8	1/2	8 Max
12	15/16	3/8	1/2	10 Max
14	15/16	3/8	1/2	12 Max
16	15/16	3/8	1/2	14 Max
18	15/16	3/8	1/2	16 Max

This specification sheet is for reference only. Aimco International Group Corp. reserves the right to make changes to the design without prior notice.

Section 2: Clevis Hangers

A-FIG 24	Plain
A-FIG 24Z	Zinc
A-FIG 24H	HDG
A-FIG 24SS	SS

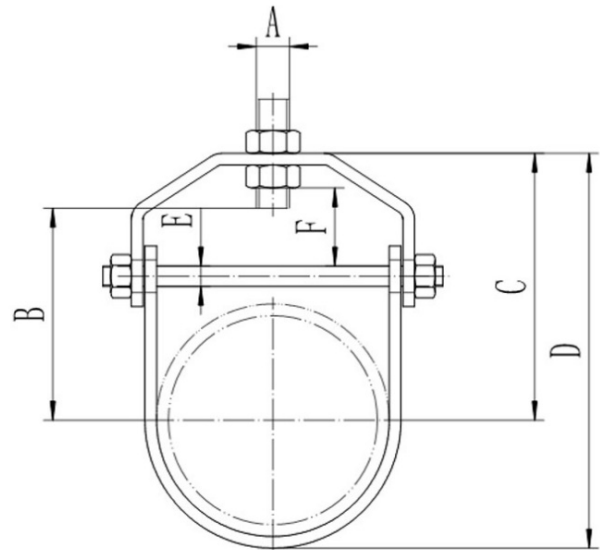
STANDARD CLEVIS HANGER

FUNCTION: Designed for suspension of non-insulated stationary pipe lines allowing for vertical adjustment.

CERTIFICATIONS: Complies with Manufactures' Standardization Society (MSS) SP-58 & SP-69 (Type 1). Complies with Federal Specifications A-A-1192A (Type 1). Complies with Underwriters' Laboratories (UL) & (cUL) (EX16266, 24Z), 3/4" - 8" UL & cUL approved, 3/4" - 6" Factory Mutual (FM) approved. (EX15150, PH703), shanghai vision mechanical, (EX15800, LXCH), zhejiang lianxiang hardware

MATERIAL: Available in Carbon Steel, Stainless Steel

FINISH: Available in Plain, Zinc Electro-Galvanized, Hot -Dip Galvanized, Stainless Steel



Iron Pipe Size	Specification Data								Rec. Max. Load (lbs.)	Approx. Wt. Per 100 (lbs.)
	A	B	C	D	E	F	Upper	Lower		
1/2	3/8	1 1/8	1 11/16	2 1/16	1/4	7/16	13Ga x 7/8	13Ga x 7/8	610	18
3/4	3/8	1 1/8	1 11/16	2 9/16	1/4	7/16	13Ga x 7/8	13Ga x 7/8	610	18
1	3/8	1 5/16	2 1/16	2 11/16	1/4	5/8	13Ga x 7/8	13Ga x 7/8	610	22
1 1/4	3/8	1 5/8	2 1/2	3 3/16	1/4	7/8	13Ga x 7/8	13Ga x 7/8	610	26
1 1/2	3/8	1 7/8	2 7/8	3 11/16	1/4	1 1/16	12Ga x 7/8	12Ga x 7/8	610	34
2	3/8	2 1/4	3 5/16	4 7/16	1/4	1 1/4	12Ga x 7/8	12Ga x 7/8	610	38
2 1/2	1/2	2 7/8	4 1/2	5 7/8	5/16	1 15/16	9Ga x 1 3/16	10Ga x 1 3/16	1130	86
3	1/2	3 5/16	4 3/4	6 1/2	5/16	1 3/4	9Ga x 1 3/16	10Ga x 1 3/16	1130	96
3 1/2	1/2	4 1/32	5 7/8	7 15/16	5/16	2 9/16	8Ga x 1 3/16	10Ga x 1 3/16	1130	114
4	5/8	4 1/8	5 15/16	8 3/16	3/8	2 1/8	8Ga x 1 3/16	10Ga x 1 3/16	1430	126
5	5/8	4 3/16	5 11/16	8 7/16	1/2	1 7/16	4Ga x 1 1/4	8Ga x 1 1/4	1430	204
6	3/4	5 1/16	6 13/16	10 1/8	1/2	1 3/4	3Ga x 1 1/2	8Ga x 1 1/2	1940	280
8	3/4	6 3/16	8 1/16	12 7/16	5/8	1 7/8	3Ga x 1 3/4	8Ga x 1 3/4	2000	446
10	7/8	7 3/4	10	15 7/16	3/4	2 1/4	3/8 x 1 3/4	3Ga x 1 3/4	3600	806
12	7/8	9 1/32	11 9/16	18	3/4	2 13/16	3/8 x 2	3Ga x 2	3800	1034
14	1	11 1/4	14 3/8	20 1/4	7/8	4 3/8	1/2 x 2	1/4 x 2	4200	1430
16	1	11 15/16	13 15/16	21 15/16	1	2 13/16	1/2 x 2 1/2	1/4 x 2 1/2	4600	2100
18	1	13 7/8	16	25	1	3 3/4	1/2 x 2 1/2	1/4 x 2 1/2	4800	2440
20	1 1/4	15 1/8	17 1/2	27 1/2	1 1/4	3 3/4	5/8 x 3	3/8 x 3	4800	4700
24	1 1/4	18 3/8	23 3/4	31 3/4	1 1/4	4	5/8 x 3	3/8 x 3	4800	5800

This specification sheet is for reference only. Aimco International Group Corp. reserves the right to make changes to the design without prior notice.

A-FIG 22Z

Zinc

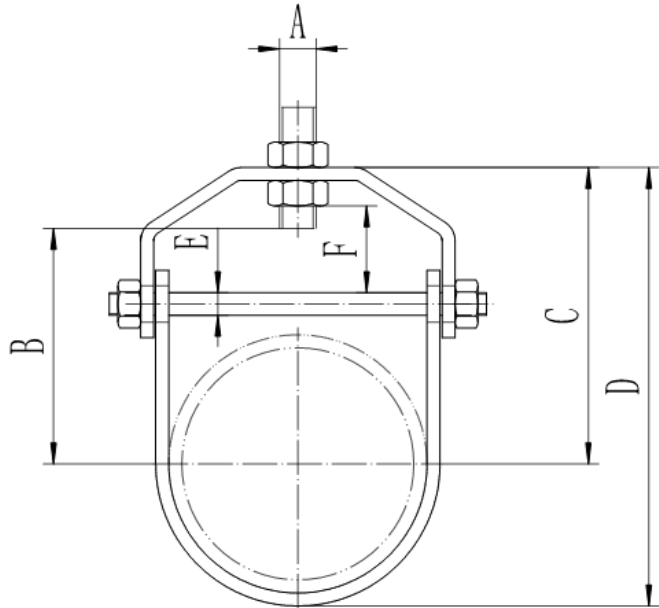
LIGHT DUTY CLEVIS HANGER

FUNCTION: Designed for the suspension of non-insulated stationary pipe lines in light duty applications.

APPROVALS: Complies with Manufactures' Standardization Society (MSS) SP-58 & SP-69 (Type 1). Complies with Federal Specifications A-A-1192A (Type 1).

MATERIAL: Carbon Steel

FINISH: Zinc Electro-Galvanized



Iron Pipe Size	Specification Data								Rec. Max. Load (lbs.)	Approx. Wt. Per 100 (lbs.)
	A	B	C	D	E	F	Upper	Lower		
1/2	3/8	1 1/8	1 3/4	2 1/8	1/4	1/2	18Ga x 7/8	18Ga x 7/8	250	12
3/4	3/8	1 9/16	1 13/16	2 5/16	1/4	1/2	18Ga x 7/8	18Ga x 7/8	250	12
1	3/8	1 3/4	2 1/8	2 3/4	1/4	3/4	18Ga x 7/8	18Ga x 7/8	250	12
1 1/4	3/8	2 1/32	2 1/2	3 1/4	1/4	15/16	18Ga x 7/8	18Ga x 7/8	250	18
1 1/2	3/8	2 1/4	2 13/16	3 13/16	1/4	1 1/8	14Ga x 7/8	16Ga x 7/8	250	24
2	3/8	2 11/16	3 5/16	4 1/2	1/4	1 1/4	14Ga x 7/8	16Ga x 7/8	250	26
2 1/2	1/2	3 7/16	4 1/2	5 5/16	1/4	2 1/16	12Ga x 1 3/16	14Ga x 1 3/16	350	58
3	1/2	3 7/8	4 13/16	6 9/16	5/16	1 7/8	12Ga x 1 3/16	14Ga x 1 3/16	350	66
3 1/2	1/2	4 5/8	5 15/16	7 7/8	5/16	2 5/8	11Ga x 1 3/16	14Ga x 1 3/16	350	82
4	1/2	4 7/8	6 1/16	8 5/16	3/8	2 3/8	11Ga x 1 3/16	14Ga x 1 3/16	400	94

This specification sheet is for reference only. Aimco International Group Corp. reserves the right to make changes to the design without prior notice.

A-FIG 52	Copper Epoxy
A-FIG 52CP	Copper Plated

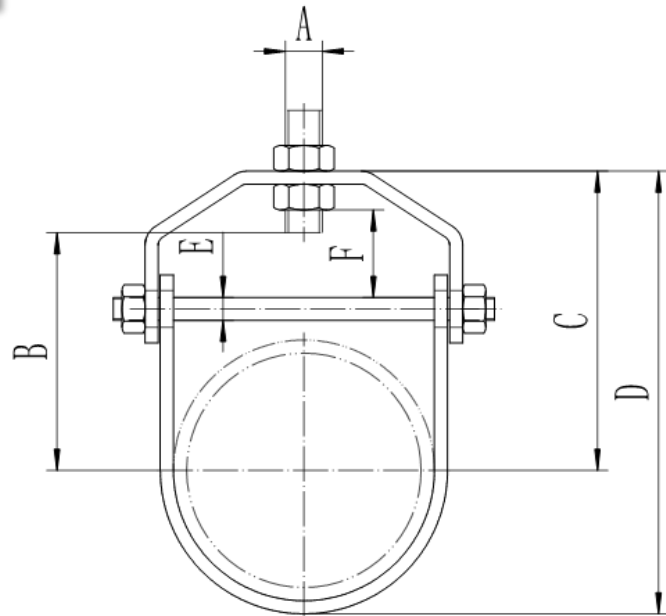
COPPER EPOXY/PLATED CLEVIS HANGER

FUNCTION: Designed for the suspension of non-insulated copper tubing.

APPROVALS: Complies with Manufacturers' Standardization Society (MSS) SP-58 & SP-69 (Type 1), Federal Specifications A-A-1192A (Type 1).

MATERIAL: Carbon Steel

FINISH: Available in Copper Powder Epoxy and Copper Plated



Copper Tube Size	Specification Data							Rec. Max. Load (lbs.)	Approx. Wt. Per 100 (lbs.)	
	A	B	C	D	E	F	Upper			Lower
1/2	3/8	1 1/4	1 15/16	2 1/4	1/4	21/32	18Ga x 7/8	18Ga x 7/8	150	13
3/4	3/8	1 1/8	1 3/4	2 3/16	1/4	9/16	18Ga x 7/8	18Ga x 7/8	150	13
1	3/8	1 5/32	1 25/32	2 5/16	1/4	1/2	18Ga x 7/8	18Ga x 7/8	250	14
1 1/4	3/8	1 1/4	2 1/16	2 3/4	1/4	13/16	18Ga x 7/8	18Ga x 7/8	250	17
1 1/2	3/8	1 21/32	2 1/2	3 5/16	1/4	15/16	18Ga x 7/8	18Ga x 7/8	250	20
2	3/8	1 15/16	2 7/8	3 15/16	1/4	1 1/32	14Ga x 7/8	14Ga x 7/8	250	38
2 1/2	1/2	2 3/8	3 9/16	4 7/8	1/4	1 1/4	11Ga x 1 1/4	11Ga x 1 1/4	350	66
3	1/2	2 17/32	3 5/8	5 3/16	1/4	1 1/16	11Ga x 1 1/4	11Ga x 1 1/4	350	75
4	1/2	3 3/8	4 9/16	6 5/8	5/16	1 1/4	11Ga x 1 1/4	11Ga x 1 1/4	400	99
5	5/8	3 15/16	5 5/16	7 7/8	3/8	1 3/8	8Ga x 1 1/2	8Ga x 1 1/2	800	110
6	5/8	4 3/4	6 3/16	9 1/4	3/8	1 1/2	8Ga x 1 1/2	8Ga x 1 1/2	1000	125

This specification sheet is for reference only. Aimco International Group Corp. reserves the right to make changes to the design without prior notice.

A-FIG 27AC

Plain

A-FIG 27ACZ

Zinc

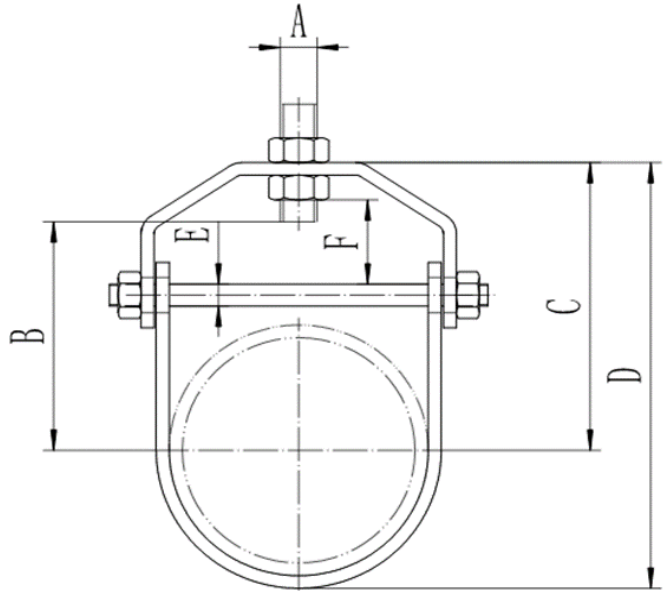
AWWA DUCTILE AC/TRANSITE CLEVIS HANGER

FUNCTION: Designed for the suspension of stationary (A.W.W.A) ductile iron and AC/Transite pipes.

APPROVALS: Complies with Manufactures' Standardization Society (MSS) SP-58 & SP-69 (Type 1). Complies with Federal Specifications A-A-1192A (Type 1).

MATERIAL: Carbon Steel

FINISH: Available in Plain and Zinc Electro-Galvanized



Pipe Size	Specification Data								Rec. Max. Load (lbs.)	Approx. Wt. Per 100 (lbs.)
	A	B	C	D	E	F	Upper	Lower		
3	1/2	3 3/4	5 5/16	7 5/16	1/2	1 15/16	8Ga x 1 1/4	11Ga x 1 1/4	1130	156
4	5/8	4 3/16	5 13/16	8 1/4	1/2	1 11/16	1/4 x 1 1/4	8Ga x 1 1/4	1430	203
6	3/4	5 3/8	7 1/4	10 5/8	1/2	1 3/4	5/16 x 1 1/2	7Ga x 1 1/2	1940	375
8	3/4	6 15/16	9 1/2	14	5/8	2 13/16	3/8 x 1 1/2	1/4 x 1 1/2	2000	571
10	7/8	8 1/2	10 3/4	16 1/2	3/4	2 5/8	3/8 x 2	1/4 x 2	3600	963
12	7/8	9	12 1/8	19	3/4	2 7/8	3/8 x 2	1/4 x 2	3800	1152
14	1	11 3/4	13 1/2	21 1/2	1	2 1/2	1/2 x 2	1/4 x 2	4200	1757
16	1	13 1/2	15 1/4	24 1/4	1	3 3/8	1/2 x 2 1/2	1/4 x 2 1/2	4600	2538
18	1	14 7/8	16 3/4	26 3/4	1 1/4	3 3/8	1/2 x 2 1/2	1/4 x 2 1/2	4800	4700
20	1 1/4	16 3/8	18 1/2	29 3/4	1 1/4	3 3/4	5/8 x 3	3/8 x 3	4800	5050
24	1 1/4	18 5/8	20 3/4	34	1 1/4	4	5/8 x 3	3/8 x 3	4800	5800

Nominal Pipe Size	Pipe O.D.	
	AWWA Ductile Pipe	AC/Transite Pipe
3	3.96	4.02
4	4.80	4.96
6	6.90	7.17
8	9.05	9.61
10	11.10	11.18
12	13.20	13.15

This specification sheet is for reference only. Aimco International Group Corp. reserves the right to make changes to the design without prior notice.

A-403

Zinc

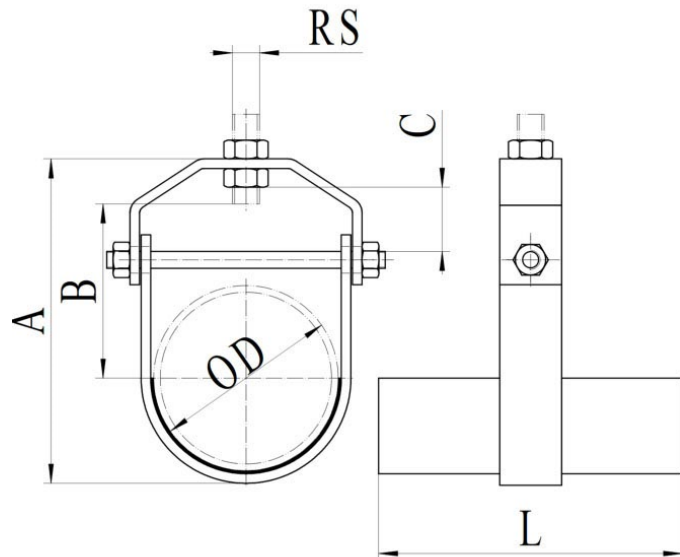
CLEVIS HANGER WITH INSULATION SHIELD

FUNCTION: Designed for the suspension of stationary insulated pipe lines.

APPROVALS: Complies with Manufactures' Standardization Society (MSS) SP-58 & SP-69 (Type 1). Complies with Federal Specifications A-A-1192A (Type 1).

MATERIAL: Carbon Steel

FINISH: Zinc Electro-Galvanized



Shield Size	Specification Data						Rec. Max. Load (lbs.)	Approx. Wt. Per 100 (lbs.)
	OD	RS	L	A	B	C		
1 1/2	1.900	3/8	3	5	3 1/8	1 7/16	610	34
2	2.375	3/8	3	5 5/16	3 5/16	1 7/16	610	38
2 1/2	2.875	3/8	4	6 3/16	3	1	1130	86
3	3.500	1/2	4	6 3/4	3 11/16	1	1130	96
3 1/2	4.000	1/2	4	7 1/4	3 15/16	1 7/16	1130	114
4	4.500	5/8	4	7 1/4	3 1/2	1 7/16	1130	126
5	5.563	5/8	6	10	5 11/16	1 13/16	1430	204
6	6.625	3/4	6	11 1/16	6	1 3/4	1940	280
8	8.625	3/4	6	13 13/16	7 7/8	2	2000	446
10	10.750	7/8	6	16 5/16	8 9/16	2 1/8	3600	806
12	12.750	7/8	8	19 5/8	10 7/8	2 13/16	3800	1034

This specification sheet is for reference only. Aimco International Group Corp. reserves the right to make changes to the design without prior notice.

Insulation Shield Size Chart for Iron Pipe

Nominal Iron Pipe Size	Insulation Thickness								
	1/2	3/4	1	1 1/2	2	2 1/2	3	3 1/2	4
4	5	6	6	8	8	10	10	12	12
5	6	8	8	8	10	10	12	12	-
6	8	8	8	10	10	12	12	-	-
8	10	10	10	12	12	-	-	-	-
10	12	12	12	-	-	-	-	-	-

Insulation Shield Size Chart for Copper Tubing

Nominal Copper Tube Size	Insulation Thickness			
	1/2	3/4	1	1 1/2
1/2	1 1/2	1 1/2	2 1/2	3 1/2
3/4	2	2	2 1/2	3 1/2
7/8	2	2 1/2	3	3 1/2
1	2	2 1/2	3	3 1/2
1 1/4	2	2 1/2	3	4
1 1/2	2 1/2	3	3 1/2	5
2	3	3 1/2	4	5
2 1/2	3 1/2	4	4	5
3	4	5	5	6
3 1/2	5	5	6	6
4	5	5	8	8
5	6	6	8	8
6	8	8	10	10

This specification sheet is for reference only. Aimco International Group Corp. reserves the right to make changes to the design without prior notice.

Section 3: Swivel Ring Hangers

A-418

Zinc

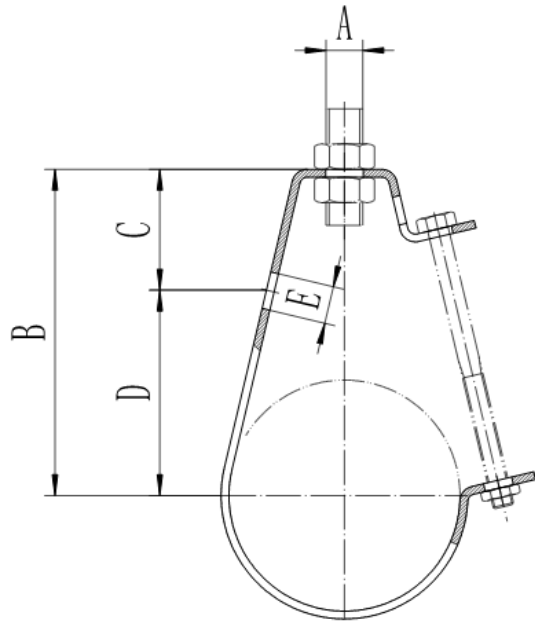
J-HANGER

FUNCTION: Designed for the suspension of stationary piping systems. The “T” slot in the hanger permits the side bolt to be installed after installation and setting of pipe. The side hole permits optional wall mounting.

APPROVALS: Complies with Manufactures’ Standardization Society (MSS) SP-58 & SP-69 (Type 5). Complies with Federal Specifications A-A-1192A (Type 5).

MATERIAL: Carbon Steel

FINISH: Zinc Electro-Galvanized



Iron Pipe Size	Specification Data						Rec. Max. Load (lbs.)	Approx. Wt. Per 100 (lbs.)
	Rod Size A	B	C	D	Hole Dia. E	Bolt Size		
1/2	3/8	2 5/8	1	1 15/16	13/32	1/4 x 2 1/4	400	20
3/4	3/8	2 7/8	1	2 1/4	13/32	1/4 x 2 1/4	400	23
1	3/8	3 1/16	1	2 3/8	13/32	1/4 x 2 1/2	400	24
1 1/4	3/8	3 5/16	1 1/16	2 9/16	13/32	1/4 x 2 3/4	400	27
1 1/2	3/8	3 9/16	1 1/16	2 11/16	13/32	1/4 x 3	400	29
2	3/8	3 3/4	1 1/8	2 15/16	13/32	1/4 x 3 1/2	400	32
2 1/2	1/2	4 7/16	1 1/8	3 9/16	9/16	3/8 x 4 1/2	800	71
3	1/2	4 7/8	1 1/8	4	9/16	3/8 x 5	800	77
3 1/2	1/2	5 3/16	1 1/8	4 1/4	9/16	3/8 x 6	800	84
4	5/8	6 1/8	1 1/8	5 1/8	9/16	3/8 x 6	800	139
5	5/8	6 3/4	1 1/8	5 3/4	9/16	3/8 x 7 1/2	800	166
6	3/4	7 3/4	1 1/4	6 9/16	9/16	3/8 x 8 1/2	1000	226
8	3/4	9 1/4	1 1/4	7 15/16	9/16	3/8 x 10	1200	332

This specification sheet is for reference only. Aimco International Group Corp. reserves the right to make changes to the design without prior notice.

A-FIG 41

Pre-Galv

A-FIG 41SS

SS

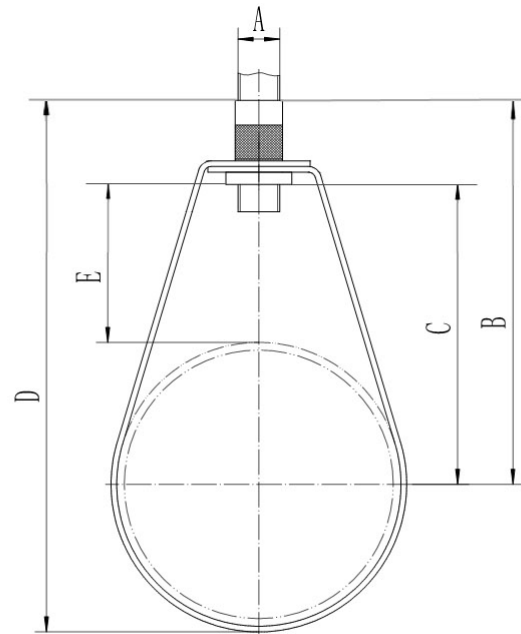
SWIVEL RING HANGER

FUNCTION: Designed for the suspension of non-insulated stationary pipe lines. The knurled insert nut allows a vertical adjustment after installation.

CERTIFICATIONS: Complies with Manufactures' Standardization Society (MSS) SP-58 & SP-69 (Type 10). Complies with Federal Specifications A A-1192A (Type 10). Complies with Underwriters' Laboratories (UL) & (cUL) (EX16266, 41), 3/4" - 8" UL & cUL approved, Factory Mutual (FM) approved. (EX15150, PH702) shanghai vision mechanical, (EX15800, LXRH), zhejiang lianxiang hardware

MATERIAL: Available in Carbon Steel with zinc plated Insert Nut, and Stainless Steel with Stainless Steel Insert Nut

FINISH: Available in Pre-Galvanized and Stainless Steel



Iron Pipe Size	Specification Data					Rec. Max. Load (lbs.)	Approx. Wt. Per 100 (lbs.)
	A	B	C	D	E		
1/2	3/8	2 15/16	1 7/8	3 3/8	1 7/16	400	9.0
3/4	3/8	2 7/8	1 7/8	3 3/8	1 11/32	400	9.0
1	3/8	2 7/8	1 7/8	3 1/2	1 7/32	400	9.4
1 1/4	3/8	3 1/16	1 15/16	3 7/8	1 1/8	400	10.0
1 1/2	3/8	3 3/16	2 1/8	4 1/8	1 3/16	400	10.6
2	3/8	3 7/16	2 7/16	4 5/8	1 1/4	400	11.8
2 1/2	3/8	3 13/16	2 3/4	5 3/8	1 3/8	600	28.6
3	3/8	4	3	6 1/8	1 1/4	600	25.4
4	3/8	4 3/4	3 3/4	7	1 1/2	1000	38.0
5	1/2	6	4 3/4	8 3/4	1 15/16	1000	73.6
6	1/2	6 9/16	5 1/4	9 7/8	1 15/16	1250	82.5
8	1/2	7 13/16	6 5/8	12 3/8	2 5/16	1250	101.0

This specification sheet is for reference only. Aimco International Group Corp. reserves the right to make changes to the design without prior notice.

A-FIG 42	Copper Epoxy
A-FIG 42CP	Copper Plated

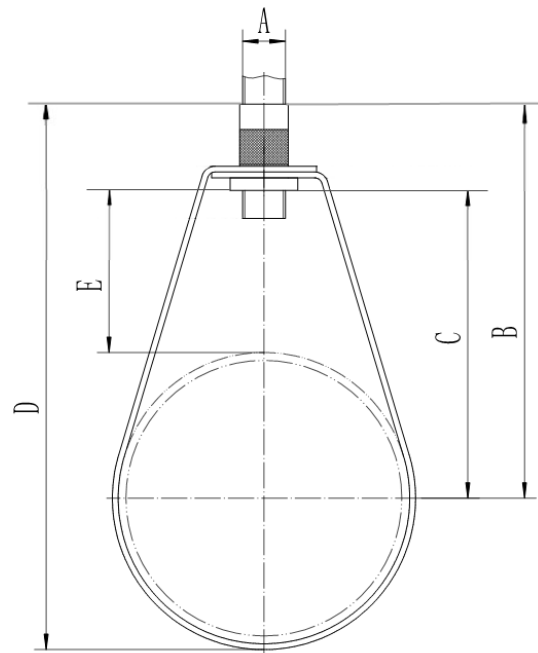
COPPER EPOXY/PLATED SWIVEL RING HANGER

FUNCTION: Designed for the suspension of non-insulated stationary copper tubing. The epoxy coating protects the copper tubes from contact with the metal surface of the hanger.

APPROVALS: Complies with Manufactures' Standardization Society (MSS) SP-58 & SP-69 (Type 10). Complies with Federal Specifications A-A-1192A (Type 10).

MATERIAL: Carbon Steel, with zinc plated Insert Nut

FINISH: Available in Copper Powder Epoxy and Copper Plated



Copper Tube Size	Also Accommodates Iron Pipe Size	Specification Data					Rec. Max. Load (lbs.)	Approx. Wt. Per 100 (lbs.)
		A	B	C	D	E		
1/2 – 3/4	1/2	3/8	2 13/16	1 15/16	3 1/4	1 5/16	400	9
1	3/4	3/8	2 13/16	1 15/16	3 1/4	1 3/8	400	9
1 1/4	1	3/8	2 13/16	1 15/16	3 7/16	1 1/4	400	9
1 1/2	1 1/4	3/8	2 15/16	2 1/16	3 3/4	1 3/16	400	10
2	2	3/8	3 7/16	2 9/16	4 9/16	1 3/8	400	12
2 1/2	2 1/2	3/8	3 11/16	2 13/16	5 1/16	1 3/8	650	28
3	3	3/8	4	3 1/8	5 5/8	1 3/8	650	30
4	4	3/8	4 5/8	3 3/4	6 7/8	1 1/2	650	37
5	5	1/2	5 3/4	4 3/4	8 1/2	1 15/16	1000	83
6	6	1/2	6 5/8	5 9/16	9 7/8	2 1/4	1250	95
8	8	1/2	7 3/4	6 11/16	12 1/16	2 3/8	1250	118

This specification sheet is for reference only. Aimco International Group Corp. reserves the right to make changes to the design without prior notice.

A-FIG 43

Black Epoxy

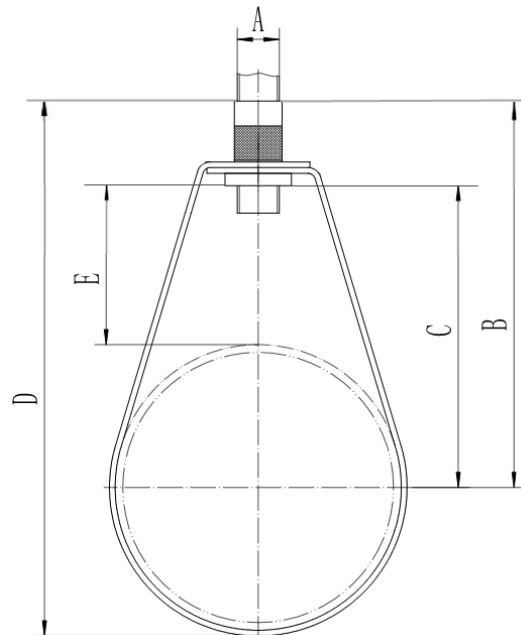
BLACK EPOXY SWIVEL RING HANGER

FUNCTION: Designed for the suspension of non-insulated stationary copper tubing. The epoxy coating protects the copper tubes from contact with the metal surface of the hanger.

APPROVALS: Complies with Manufactures' Standardization Society (MSS) SP-58 & SP-69 (Type 10). Complies with Federal Specifications A-A-1192A (Type 10).

MATERIAL: Carbon Steel, with zinc plated Insert Nut

FINISH: Black Powder Epoxy



Copper Tube Size	Also Accommodates IPS Size	Specification Data					Rec. Max. Load (lbs.)	Approx. Wt. Per 100 (lbs.)
		A	B	C	D	E		
1/2 – 3/4	1/2	3/8	2 13/16	1 15/16	3 1/4	1 5/16	400	9
1	3/4	3/8	2 13/16	1 15/16	3 1/4	1 3/8	400	9
1 1/4	1	3/8	2 13/16	1 15/16	3 7/16	1 1/4	400	9
1 1/2	1 1/4	3/8	2 15/16	2 1/16	3 3/4	1 3/16	400	10
2	2	3/8	3 7/16	2 9/16	4 9/16	1 3/8	400	12
2 1/2	2 1/2	3/8	3 11/16	2 13/16	5 1/16	1 3/8	650	28
3	3	3/8	4	3 1/8	5 5/8	1 3/8	650	30
4	4	3/8	4 5/8	3 3/4	6 7/8	1 1/2	650	37
5	5	1/2	5 3/4	4 3/4	8 1/2	1 15/16	1000	83
6	6	1/2	6 5/8	5 9/16	9 7/8	2 1/4	1250	95
8	8	1/2	7 3/4	6 11/16	12 1/16	2 3/8	1250	118

This specification sheet is for reference only. Aimco International Group Corp. reserves the right to make changes to the design without prior notice.

Section 4: Pipe and Riser Clamps

A-CD

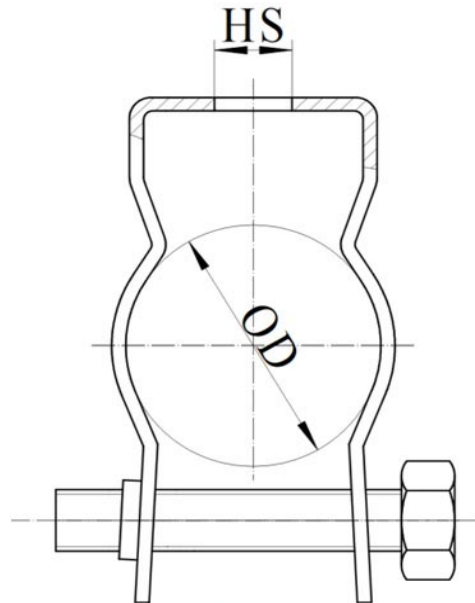
Zinc

BOLT CLOSE CONDUIT AND PIPE CLAMP

FUNCTION: Designed for supporting EMT and RIGID conduits/pipes. Retained bolt helps to make sure that there are less parts to handle or drop.

MATERIAL: Steel

FINISH: Zinc Electro-Galvanized

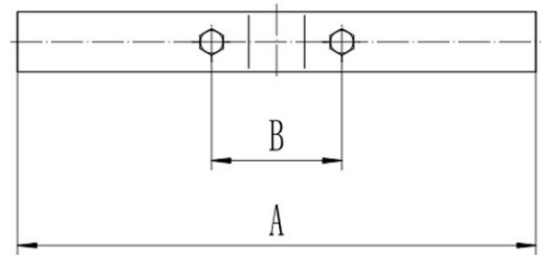
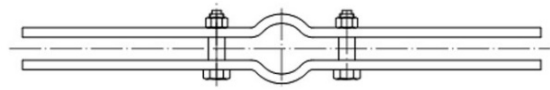


EMT Conduit Size	Rigid Conduit Size	Specification Data		Rec. Max. Load (lbs.)	Approx. Wt. Per 100 (lbs.)
		OD	HS		
1/2	1/2	0.670 - 0.840	1/4	200	5.6
3/4	3/4	0.740 - 1.050	1/4	200	7.5
1	1	1.000 - 1.315	1/4	200	8.8
1 1/4	-	1.220 - 1.510	1/4	200	9.4
1 1/2	1 1/4	1.410 - 1.740	1/4	200	10.0
-	1 1/2	1.750 - 1.900	5/16	200	10.6
2	2	1.910 - 2.875	5/16	200	21.3
2 1/2	2 1/2	2.600 - 3.000	5/16	350	25.0
3	3	3.150 - 3.500	5/16	350	28.8
3 1/2	3 1/2	3.740 - 4.130	5/16	350	32.5
4	4	4.250 - 4.530	5/16	350	36.3

This specification sheet is for reference only. Aimco International Group Corp. reserves the right to make changes to the design without prior notice.

A-FIG 82	Plain
A-FIG 82Z	Zinc
A-FIG 82H	HDG
A-FIG 82SS	SS

STANDARD RISER CLAMP



FUNCTION: Designed for supporting and stabilizing vertical pipe runs.

CERTIFICATIONS: Complies with Manufactures' Standardization Society (MSS) SP-58 & SP-69 (Type 8). Complies with Federal Specifications A-A-1192A (Type 8). Complies with Underwriters' Laboratories (UL) & (cUL) (EX16266, 82Z), 1" - 8" UL & cUL approved, 3/4" - 3 1/2" Factory Mutual (FM) approved. (EX15150, PH705) model 705, shanghai vision mechanical, (EX15800, LXRC), zhejiang lianxiang hardware

MATERIAL: Available in Carbon Steel and Stainless Steel

FINISH: Available in Plain, Zinc Electro-Galvanized, Hot-Dip Galvanized, Stainless Steel

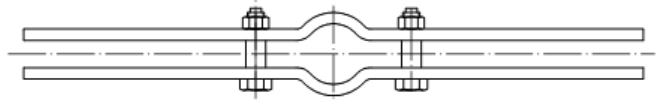


Iron Pipe Size	Specification Data				Rec. Max. Load (lbs.)	Approx. Wt. Per 100 (lbs.)
	A	B	Bolt Dia.	Material		
1/2	8 5/8	2 1/8	3/8	8Ga x 1	220	88
3/4	8 13/16	2 5/16	3/8	8Ga x 1	220	92
1	9 1/16	2 5/8	3/8	8Ga x 1	220	94
1 1/4	9 7/16	2 15/16	3/8	8Ga x 1	250	100
1 1/2	10	3 7/16	3/8	8Ga x 1	250	104
2	10 9/16	4	3/8	8Ga x 1	300	114
2 1/2	11 1/8	4 9/16	3/8	3Ga x 1	400	160
3	11 13/16	5 1/4	3/8	3Ga x 1	500	170
3 1/2	13	6	1/2	3Ga x 1	600	206
4	13 5/8	6 5/8	1/2	3Ga x 1	750	220
5	14 1/8	7 5/8	1/2	3Ga x 1 1/2	1500	340
6	15 3/8	8 7/8	1/2	3Ga x 1 1/2	1600	372
8	18 5/8	12	5/8	3/8 x 1 1/2	2500	722
10	21	14 1/2	5/8	3/8 x 2	2500	1094
12	22 3/4	17	5/8	1/2 x 2	2700	1610
14	24	17 7/8	5/8	1/2 x 2	2700	1700
16	26	21	3/4	5/8 x 2 1/2	2900	2916
18	28	23 1/8	3/4	5/8 x 2 1/2	2900	3191
20	30	25	3/4	5/8 x 2 1/2	2900	3550
24	36	29 1/4	7/8	5/8 x 2 1/2	2900	4200

This specification sheet is for reference only. Aimco International Group Corp. reserves the right to make changes to the design without prior notice.

A-FIG 85	Copper Epoxy
A-FIG 85CP	Copper Plated

COPPER EPOXY/PLATED RISER CLAMP

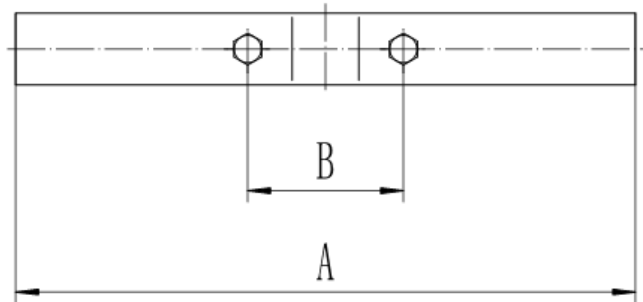


FUNCTION: Designed for supporting and stabilizing vertical copper tubing pipe lines.

APPROVALS: Complies with Manufactures' Standardization Society (MSS) SP-58 & SP-69 (Type 8). Complies with Federal Specifications A-A-1192A (Type 8).

MATERIAL: Carbon Steel

FINISH: Available in Copper Powder Epoxy and Copper Plated



Copper Tube Size	Specification Data				Rec. Max. Load (lbs.)	Approx. Wt. Per 100 (lbs.)
	A	B	Bolt Dia.	Material		
1/2	6 11/16	1 11/16	1/4	11Ga x 1	225	48
3/4	7	2	1/4	11Ga x 1	225	50
1	8 3/4	2 1/4	1/4	11Ga x 1	250	64
1 1/4	9	2 1/2	1/4	11Ga x 1	250	66
1 1/2	9 3/8	2 7/8	1/4	11Ga x 1	250	68
2	9 15/16	3 3/8	3/8	8Ga x 1	500	106
2 1/2	10 1/2	4	3/8	8Ga x 1	500	108
3	11	4 7/16	3/8	8Ga x 1	500	116
3 1/2	12 3/16	5 1/8	3/8	8Ga x 1 1/4	500	158
4	12 5/8	5 9/16	3/8	8Ga x 1 1/4	500	166
5	14 1/8	7 1/8	1/2	3Ga x 1 1/2	815	342
6	15	8	1/2	3Ga x 1 1/2	815	376

This specification sheet is for reference only. Aimco International Group Corp. reserves the right to make changes to the design without prior notice.

A-FIG 38

Plain

A-FIG 38Z

Zinc

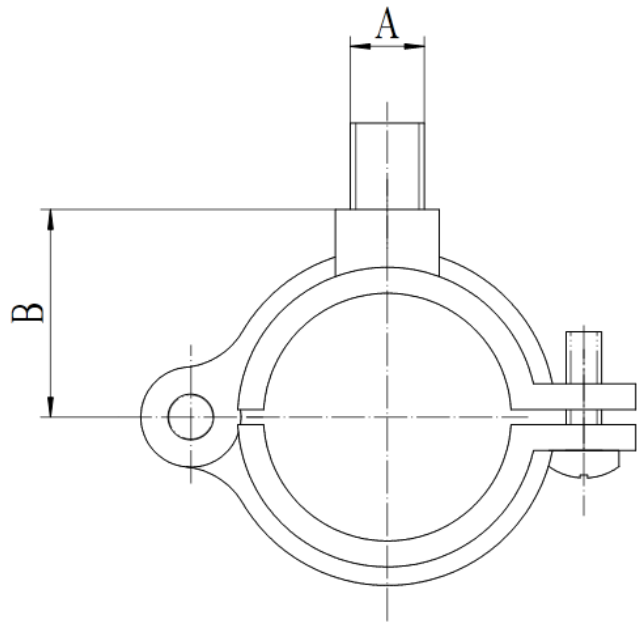
SPLIT RING HANGER HINGED

FUNCTION: Designed for the suspension of non-insulated stationary pipe lines in either a horizontal or vertical position. The hinged design allows for a quick installation.

APPROVALS: Complies with Manufactures' Standardization Society (MSS) SP-58 & SP-69 (Type 12). Complies with Federal Specifications A-A-1192A (Type 12).

MATERIAL: Malleable Iron, with hardware

FINISH: Available in Plain and Zinc Electro-Galvanized



Iron Pipe Size	Specification Data		Rec. Max. Load (lbs.)	Approx. Wt. Per 100 (lbs.)
	Rod Size A	B		
3/8	3/8	13/16	180	10
1/2	3/8	7/8	180	13
3/4	3/8	1	180	14
1	3/8	1 1/8	180	16
1 1/4	3/8	1 5/16	180	22
1 1/2	3/8	1 7/16	180	24
2	3/8	1 11/16	180	31
2 1/2	1/2	2 1/8	300	60
3	1/2	2 7/16	300	74
4	1/2	2 3/4	300	85

This specification sheet is for reference only. Aimco International Group Corp. reserves the right to make changes to the design without prior notice.

A-FIG 38C	Copper Epoxy
A-FIG 38CP	Copper Plated

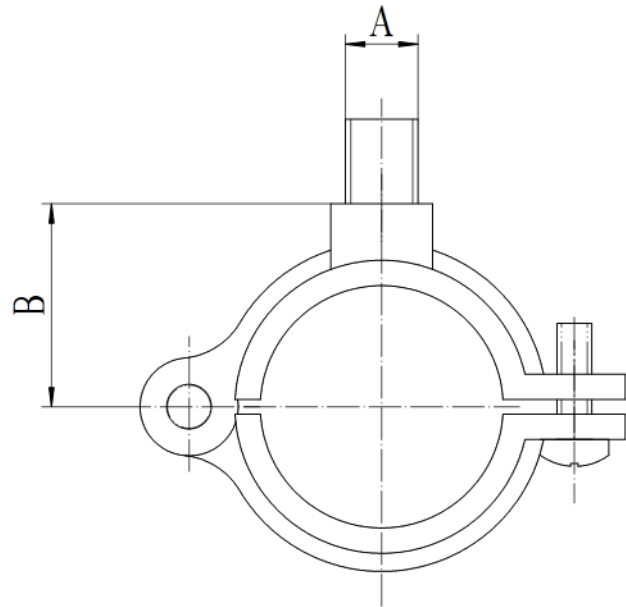
COPPER EPOXY/PLATED SPLIT RING HANGER HINGED

FUNCTION: Designed for the suspension of non-insulated stationary copper tubing. The hinged design allows for a quick installation.

APPROVALS: Complies with Manufactures' Standardization Society (MSS) SP-58 & SP-69 (Type 12). Complies with Federal Specifications A-A-1192A (Type 12).

MATERIAL: Malleable Iron, with zinc hardware

FINISH: Available in Copper Powder Epoxy and Copper Plated



Copper Tube Size	Specification Data		Rec. Max. Load (lbs.)	Approx. Wt. Per 100 (lbs.)
	Rod Size A	B		
3/8	3/8	13/16	180	10
1/2	3/8	13/16	180	10
3/4	3/8	7/8	180	13
1	3/8	1	180	14
1 1/4	3/8	1 1/8	180	16
1 1/2	3/8	1 5/16	180	22
2	3/8	1 11/16	180	31
2 1/2	1/2	2 1/8	300	60
3	1/2	2 7/16	300	74
4	1/2	2 3/4	300	85

This specification sheet is for reference only. Aimco International Group Corp. reserves the right to make changes to the design without prior notice.

A-FIG 38SS

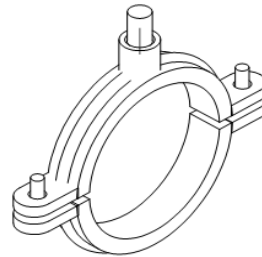
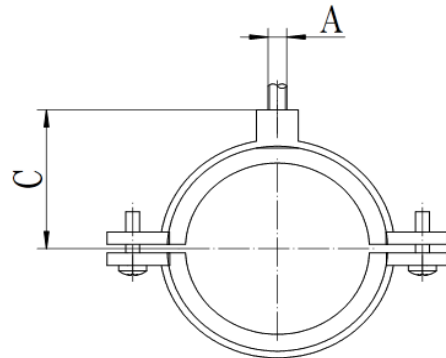
SS

STAINLESS STEEL SPLIT RING HANGER TWO SCREW

FUNCTION: Designed for the suspension of non-insulated stationary pipe lines in either a horizontal or vertical position, where protection from corrosive environment is required.

APPROVALS: Complies with Manufactures' Standardization Society (MSS) SP-58 & SP-69 (Type 12). Complies with Federal Specifications A-A-1192A (Type 12).

MATERIAL: Stainless Steel

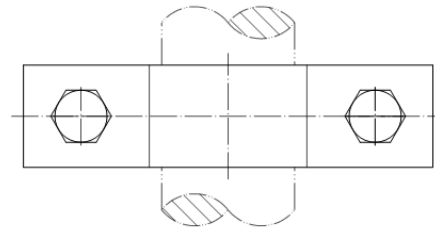
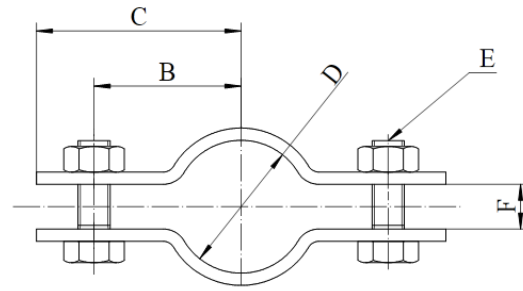


Pipe Size	Specification Data		Rec. Max. Load (lbs.)	Approx. Wt. Per 100 (lbs.)
	Rod Size A	C		
3/8	3/8	11/16	180	8
1/2	3/8	3/4	180	10
3/4	3/8	7/8	180	11
1	3/8	1 1/8	180	15
1 1/4	3/8	1 5/16	180	18
1 1/2	3/8	1 7/16	180	21
2	3/8	1 5/8	180	30
2 1/2	1/2	2 1/8	300	58
3	1/2	2 1/2	300	72
4	1/2	2 7/8	300	102

This specification sheet is for reference only. Aimco International Group Corp. reserves the right to make changes to the design without prior notice.

A-FIG 31	Plain
A-FIG 31Z	Zinc

2-BOLT PIPE CLAMP



FUNCTION: Designed to be used in the suspension of non-insulated pipe lines.

APPROVALS: Complies with Manufacturers' Standardization Society (MSS) SP-58 & SP-69 (Type 4). Complies with Federal Specifications A-A-1192A (Type 4).

MATERIAL: Carbon Steel

FINISH: Available in Plain and Zinc Electro-Galvanized

Iron Pipe Size	Specification Data					Material	Rec. Max. Load (lbs.)	Approx. Wt. Per 100 (lbs.)
	B	C	D	E (Bolt Size)	F			
1/2	1 1/8	1 11/16	0.840	5/16	7/16	11Ga x 1	500	27
3/4	1 1/4	1 13/16	1.050	5/16	7/16	11Ga x 1	500	30
1	1 7/16	2	1.315	5/16	7/16	11Ga x 1	500	33
1 1/4	1 9/16	2 1/8	1.660	5/16	7/16	11Ga x 1	500	36
1 1/2	1 11/16	2 1/4	1.900	5/16	1/2	11Ga x 1	800	37
2	2 5/16	3 3/16	2.375	1/2	1/2	3Ga x 1	1040	104
2 1/2	2 5/8	3 1/2	2.875	1/2	3/4	3Ga x 1	1040	119
3	2 7/8	3 3/4	3.500	1/2	3/4	3Ga x 1	1040	127
3 1/2	3 1/8	4	4.000	1/2	3/4	3Ga x 1	1040	143
4	3 5/8	4 1/2	4.500	5/8	3/4	4Ga x 1 1/4	1040	194
5	4 1/8	5	5.563	5/8	3/4	4Ga x 1 1/4	1040	220
6	5	5 7/8	6.625	3/4	7/8	3/8 x 1 1/2	1615	542
8	6 1/8	7	8.625	3/4	1	3/8 x 1 1/2	1615	651
10	7 7/16	8 9/16	10.750	7/8	1	1/2 x 2	2490	1360
12	8 7/16	9 9/16	12.750	7/8	1	1/2 x 2	2490	1605
14	9 1/4	10 5/8	14.000	7/8	1 1/8	1/2 x 2 1/2	2490	2000
16	10 1/4	11 5/8	16.000	7/8	1 1/8	1/2 x 2 1/2	2490	2200
18	11 5/8	13	18.000	1	1 1/4	5/8 x 2 1/2	3060	3200
20	12 3/4	14 1/8	20.000	1 1/8	1 3/8	5/8 x 2 1/2	3060	3600
24	15 1/4	16 7/8	24.000	1 1/4	1 5/8	5/8 x 3	3060	5000
30	19	21 1/8	30.000	1 3/4	2	3/4 x 4	3500	11390
36	23	25 1/2	36.000	2	2 1/2	1 x 5	4000	21900

This specification sheet is for reference only. Aimco International Group Corp. reserves the right to make changes to the design without prior notice.

A-FIG 33M

Plain

A-FIG 33MZ

Zinc

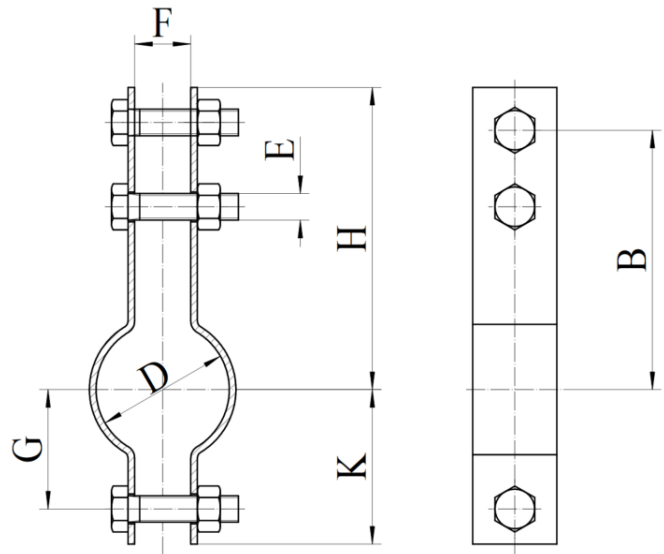
3-BOLT PIPE CLAMP

FUNCTION: Designed to be used in the suspension of non-insulated pipe lines.

APPROVALS: Complies with Manufactures' Standardization Society (MSS) SP-58 & SP-69 (Type 4). Complies with Federal Specifications A-A-1192A (Type 4).

MATERIAL: Carbon Steel

FINISH: Available in Plain and Zinc Electro-Galvanized



Iron Pipe Size	Specification Data							Material	Rec. Max. Load 343°C (lbs.)	Approx. Wt. Per 100 (lbs.)
	B	D	E	F	G	H	K			
1/2	2 5/16	0.84	3/8	5/8	1	2 7/8	1 9/16	8Ga x 1	950	54
3/4	2 7/16	1.05	3/8	5/8	1 1/16	3	1 8/8	8Ga x 1	950	57
1	2 5/8	1.315	3/8	5/8	1 3/8	3 3/16	1 15/16	8Ga x 1	950	61
1 1/4	2 15/16	1.66	3/8	5/8	1 1/2	3 1/2	2 1/16	8Ga x 1	950	68
1 1/2	3 13/16	1.90	5/8	7/8	1 15/16	4 11/16	2 13/16	4Ga x 1 1/4	1545	172
2	4 11/16	2.375	5/8	7/8	2 3/16	5 9/16	3 1/16	4Ga x 1 1/4	1545	193
2 1/2	5 9/16	2.875	5/8	7/8	2 7/16	6 7/16	3 5/16	4Ga x 1 1/4	1545	212
3	6 1/8	3.50	5/8	1	2 3/4	7	3 5/8	4Ga x 1 1/4	1545	226
3 1/2	6 3/8	4.00	5/8	1	2 7/8	7 1/4	3 3/4	4Ga x 1 1/4	1545	237
4	6 1/2	4.50	3/4	1 1/16	3 1/2	7 5/8	4 1/2	3/8 x 2	2500	750
5	7	5.563	3/4	1 1/16	4	8 1/8	5	3/8 x 2	2500	813
6	8 9/16	6.625	1	1 7/16	5	9 15/16	6 1/8	3/8 x 2 1/2	2865	1311
8	9 9/16	8.625	1	1 7/16	6	10 15/16	7 1/8	3/8 x 2 1/2	2865	1467
10	10 5/8	10.75	1	1 7/16	7 1/2	12	8 7/8	1/2 x 2 1/2	3240	2167
12	11 5/8	12.75	1	1 7/16	8 1/2	13	9 7/8	1/2 x 2 1/2	3240	2383
14	12 11/16	14.00	1 1/4	2	9 3/8	14 5/16	11	5/8 x 3	4300	3750
16	13 11/16	16.00	1 1/4	2	10 3/8	15 5/16	12	5/8 x 3	4300	4100
18	14 11/16	18.00	1 1/4	2	11 3/8	16 5/16	13	5/8 x 3	4300	4646
20	15 7/8	20.00	1 1/2	2	12 3/4	17 1/2	14 3/8	3/4 x 3	5490	6000

This specification sheet is for reference only. Aimco International Group Corp. reserves the right to make changes to the design without prior notice.

Section 5: CPVC Clamps

A-SOSR

Zinc

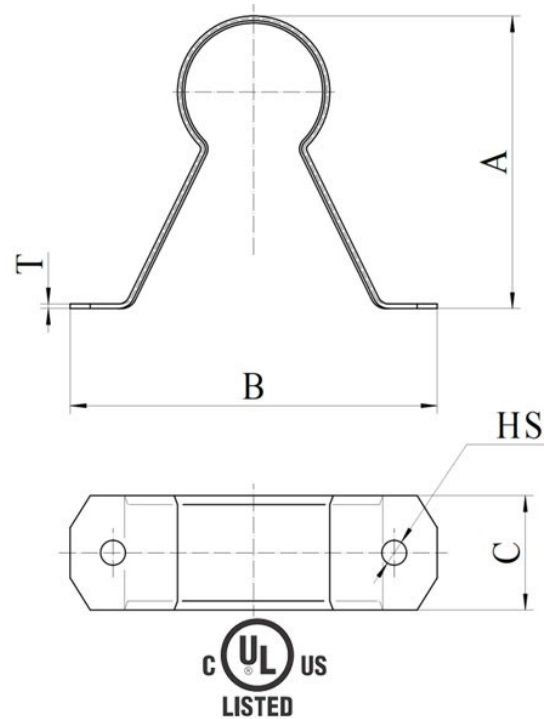
STAND OFF TWO HOLE STRAP FOR CPVC

FUNCTION: Designed to position fire sprinkler pipe 1 1/2" (38mm) off the mounting surface eliminating the need for wooden spacer blocks. It can be mounted in both vertical and horizontal positions on concrete, steel and wood. Used as a hanger and pipe restrainer. Features flared edges to protect piping as it slides through the installed fitting.

APPROVALS: Complies with Underwriters' Laboratories (UL) & (cUL) (EX15649, 772), sizes 3/4" - 2", shanghai vision mechanical. Complies with National Fire Protection Association (NFPA) 13.

MATERIAL: Carbon Steel, with mounting screws

FINISH: Zinc Electro-Galvanized



Pipe Size	Specification Data					Hanger Spacing
	HS	A	B	C	T	
3/4	1/5	2 11/16	3 5/8	1	18Ga	6 Max
1	1/5	2 15/16	3 11/16	1	18Ga	6 Max
1 1/4	1/5	3 5/16	3 5/8	1	16Ga	6 Max
1 1/2	1/5	3 7/8	4 1/2	1	16Ga	7 Max
2	1/5	4	5 1/4	1	16Ga	8 Max

This specification sheet is for reference only. Aimco International Group Corp. reserves the right to make changes to the design without prior notice.

A-107

Zinc

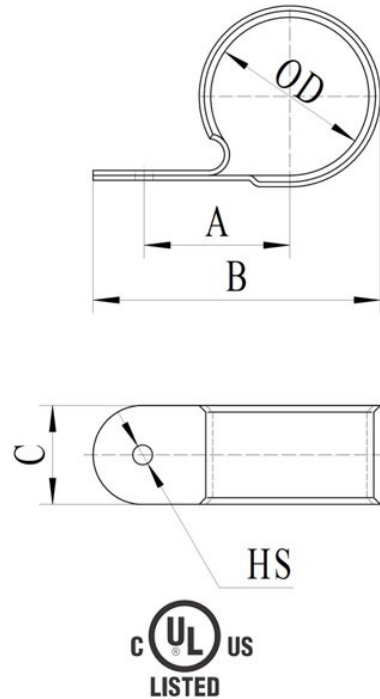
WRAPAROUND STRAP FOR CPVC

FUNCTION: Designed to support CPVC fire sprinkler pipe horizontally from the side or bottom of beam. It must be installed with mounting tab oriented over top of piping on the side of a beam, it can only be used as a guide on top of beam or on vertical piping. It may be installed onto wood using supplied fasteners or into, minimum 20 gauge, steel using two 1/4" x 1" mounting screws. Features flared edges to protect piping as it slides through the installed fitting.

APPROVALS: Complies with Underwriters' Laboratories (UL) & (cUL) (EX15649, 769), sizes 3/4" - 2", shanghai vision mechanical

MATERIAL: Carbon Steel, with mounting screws

FINISH: Zinc Electro-Galvanized



Pipe Size	Specification Data					Hanger Spacing
	OD	HS	A	B	C	
3/4	1.050	7/32	1 1/4	2 3/8	1 3/16	6 Max
1	1.315	7/32	1 7/16	2 11/16	1 3/16	6 Max
1 1/4	1.660	7/32	1 5/8	3 1/16	1 3/16	7 Max
1 1/2	1.900	7/32	1 3/4	3 5/16	1 3/16	7 Max
2	2.375	7/32	1 7/8	3 11/16	1 3/16	8 Max

This specification sheet is for reference only. Aimco International Group Corp. reserves the right to make changes to the design without prior notice.

A-108

Zinc

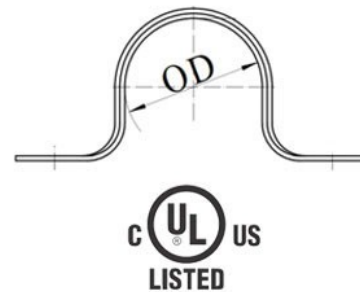
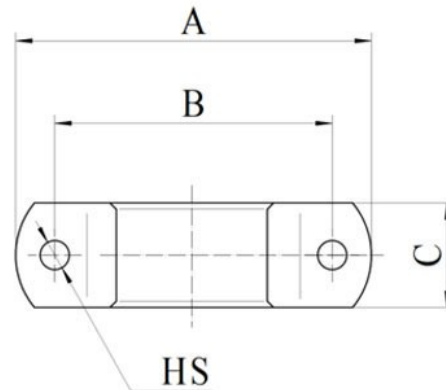
TWO HOLE STRAP FOR CPVC

FUNCTION: Designed to support CPVC fire sprinkler pipe horizontally from the side or bottom of beam. It can only be used as a guide on top of beam or on vertical piping, it also acts as a restrainer to prevent the thrust of a sprinkler head during activation when mounted on top of structure. It may be installed onto wood using supplied fasteners or into, minimum 20 gauge, steel using two 1/4" x 1" mounting screws. Features flared edges to protect piping as it slides through the installed fitting and retaining dimples to allow for easy installation onto pipe.

APPROVALS: Complies with Underwriters' Laboratories (UL) & (cUL) (EX15649, 770), sizes 3/4" - 2", shanghai vision mechanical

MATERIAL: Carbon Steel, with mounting screws

FINISH: Zinc Electro-Galvanized



Pipe Size	Specification Data					Hanger Spacing
	OD	HS	A	B	C	
3/4	1.050	7/32	3 1/4	2 1/4	1 3/16	6 Max
1	1.315	7/32	3 1/2	2 1/2	1 3/16	6 Max
1 1/4	1.660	7/32	4 1/4	3 1/4	1 3/16	7 Max
1 1/2	1.900	7/32	4 7/16	3 7/16	1 3/16	7 Max
2	2.375	7/32	4 15/16	3 15/16	1 3/16	8 Max

This specification sheet is for reference only. Aimco International Group Corp. reserves the right to make changes to the design without prior notice.

A-109

Zinc

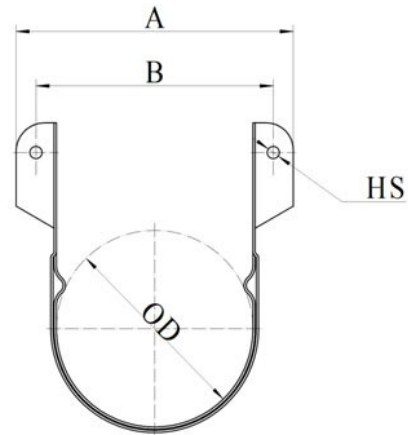
SIDE MOUNT STRAP FOR CPVC

FUNCTION: Designed to support CPVC fire sprinkler pipe horizontally from the side or bottom of beam. It can only be used as a guide on top of beam or on vertical piping, it also acts as a restrainer to prevent the thrust of a sprinkler head during activation when mounted on top of structure. It may be installed onto wood using supplied fasteners or into, minimum 20 gauge, steel using two 1/4" x 1" mounting screws. Features flared edges to protect piping as it slides through the installed fitting and retaining dimples to allow for easy installation onto pipe.

APPROVALS: Complies with Underwriters' Laboratories (UL) & (cUL) (EX15649, 771), sizes 3/4" - 2", shanghai vision mechanical

MATERIAL: Carbon Steel, with mounting screws

FINISH: Zinc Electro-Galvanized



Pipe Size	Specification Data					Hanger Spacing
	OD	HS	A	B	C	
3/4	1.050	7/32	2 5/16	1 11/16	1 3/16	6 Max
1	1.315	7/32	2 5/8	1 15/16	1 3/16	6 Max
1 1/4	1.660	7/32	2 15/16	2 5/16	1 3/16	7 Max
1 1/2	1.900	7/32	3 3/16	2 1/2	1 3/16	7 Max
2	2.375	7/32	3 5/8	3	1 3/16	8 Max

This specification sheet is for reference only. Aimco International Group Corp. reserves the right to make changes to the design without prior notice.

Section 6: Threaded Accessories

A-SC228

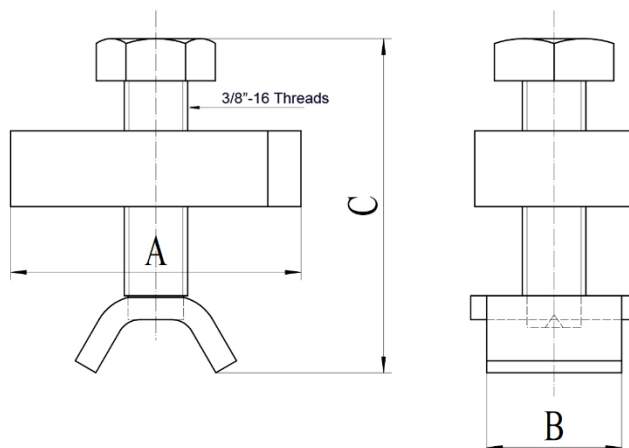
Zinc

SEISMIC HANGER ROD STIFFENER

FUNCTION: Designed to secure channel to hanger rod for vertical seismic bracing. Slight distortion of the channel/strut may occur upon installation of rod stiffeners. Rod stiffeners are required only on hanger and trapeze that have seismic bracing attached at or within 4" of the rod. A minimum of two rod stiffeners must be installed. Recommended torque is 8 ft.-lbs. or finger tight and one full turn with a wrench.

MATERIAL: Steel

FINISH: Zinc Electro-Galvanized



Rod Size Range	Specification Data			Approx. Wt. Per 100 (lbs.)
	A	B	C	
3/8 through 5/8	1 3/8	0.68	1.60	15

Rod Stiffener Requirements		
Rod Size	Max. Rod Length without Rod Stiffener	Max. Spacing between Rod Stiffeners
3/8	19	13
1/2	25	18
5/8	31	23
3/4	37	28
7/8	43	33
1	50	38
1 1/4	60	43

This specification sheet is for reference only. Aimco International Group Corp. reserves the right to make changes to the design without prior notice.

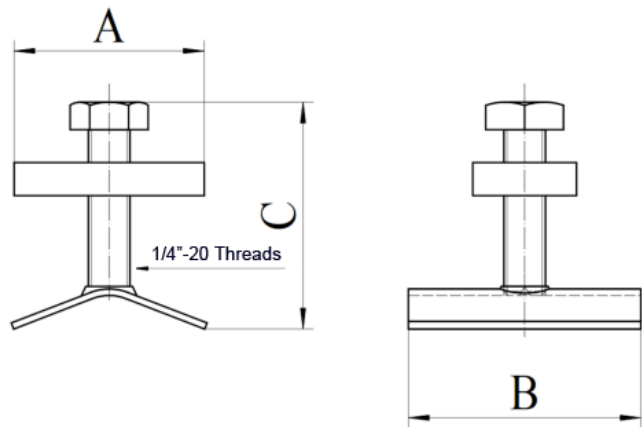
A-901 **Zinc**

ROD STIFFENER

FUNCTION: Designed to secure channel to hanger rod for vertical seismic bracing. Slight distortion of the channel/strut may occur upon installation of rod stiffeners. Rod stiffeners are required only on hanger and trapeze that have seismic bracing attached at or within 4" of the rod. A minimum of two rod stiffeners must be installed. Recommended torque is 8 ft.-lbs. or finger tight and one full turn with a wrench.

MATERIAL: Steel

FINISH: Zinc Electro-Galvanized



Rod Size Range	Specification Data			Approx. Wt. Per 100 (lbs.)
	A	B	C	
3/8 through 5/8	1 3/8	1.78	1.68	12

Rod Stiffener Requirements		
Rod Size	Max. Rod Length without Rod Stiffener	Max. Spacing between Rod Stiffeners
3/8	19	13
1/2	25	18
5/8	31	23
3/4	37	28
7/8	43	33
1	50	38
1 1/4	60	43

This specification sheet is for reference only. Aimco International Group Corp. reserves the right to make changes to the design without prior notice.

A-FIG 14Z	Zinc
A-FIG 14H	HDG
A-FIG 14SS	SS

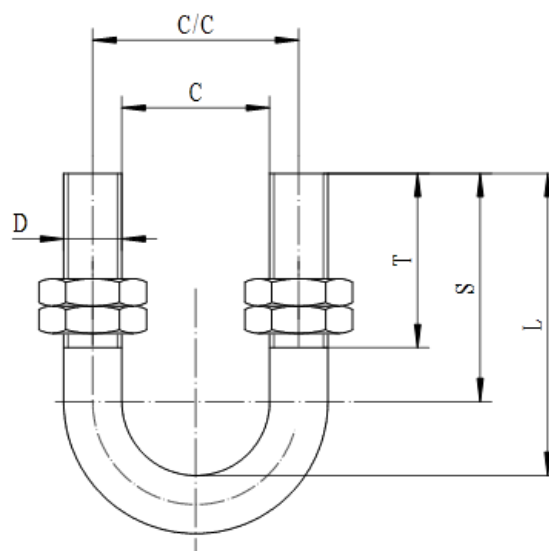
STANDARD U-BOLT

FUNCTION: Designed for use as a support or guide for various types of pipes, or anchor for heavy loads.

APPROVALS: Complies with Manufactures' Standardization Society (MSS) SP-58 & SP-69 (Type 24). Complies with Federal Specifications A-A-1192A (Type 24).

MATERIAL: Available in Carbon Steel with 4 hex nuts, and Stainless Steel with 4 Stainless Steel hex nuts

FINISH: Available in Zinc Electro-Galvanized, Hot-Dip Galvanized, Stainless Steel



Iron Pipe Size	Specification Data						Rec. Max. Load 343°C (lbs.)	Rec. Max. Load 399°C (lbs.)	Approx. Wt. Per 100 (lbs.)
	D	C	C/C	S	T	L			
1/2	1/4	15/16	1 3/16	2 3/4	2 1/8	3 1/8	485	435	11
3/4	1/4	1 1/8	1 3/8	2 3/4	2 1/8	3 1/4	485	435	12
1	1/4	1 3/8	1 5/8	2 3/4	2 1/8	3 13/32	485	435	12
1 1/4	3/8	1 11/16	2 1/16	2 7/8	2 1/8	3 11/16	1220	1090	28
1 1/2	3/8	2	2 3/8	3	2 1/2	3 15/16	1220	1090	29
2	3/8	2 7/16	2 13/16	3 1/4	2 1/2	4 7/16	1220	1090	32
2 1/2	1/2	2 15/16	3 7/16	3 3/4	3	5 3/16	2260	2020	68
3	1/2	3 9/16	4 1/16	4	3	5 3/4	2260	2020	77
3 1/2	1/2	4 1/16	4 9/16	4 1/4	3	6 1/4	2260	2020	82
4	1/2	4 9/16	5 1/16	4 1/2	3	6 3/4	2260	2020	88
5	1/2	5 5/8	6 1/8	5	3	7 25/32	2260	2020	93
6	5/8	6 3/4	7 3/8	6 1/8	3 3/4	9 7/16	3620	3230	194
8	5/8	8 3/4	9 3/8	7 1/8	3 3/4	11 7/16	3620	3230	236
10	3/4	10 7/8	11 5/8	8 3/8	4	13 3/4	5420	4830	489
12	7/8	12 7/8	13 3/4	9 5/8	4 1/4	16	7540	6730	776
14	7/8	14 1/8	15	10 1/4	5	16 1/4	7540	6730	832
16	7/8	16 1/8	17	11 1/4	5	17 3/4	7540	6730	919
18	1	18 1/8	19 1/8	13	6	20 1/2	9920	8850	1067
20	1	20 1/8	21 1/8	14	6	22 3/4	9920	8850	1474
24	1	24 1/8	25 1/8	16	6	27	9920	8850	1708

This specification sheet is for reference only. Aimco International Group Corp. reserves the right to make changes to the design without prior notice.

A-FIG 14 Plain

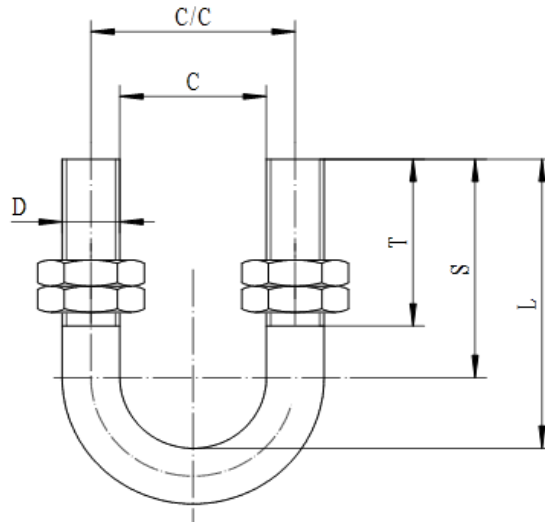
PLAIN STANDARD U-BOLT

FUNCTION: Designed for use as a support or guide for various types of pipes, or anchor for heavy loads.

APPROVALS: Complies with Manufactures' Standardization Society (MSS) SP-58 & SP-69 (Type 24). Complies with Federal Specifications A-A-1192A (Type 24).

MATERIAL: Carbon Steel, with 4 hex nuts

FINISH: Plain



Iron Pipe Size	Specification Data						Rec. Max. Load 343°C (lbs.)	Rec. Max. Load 399°C (lbs.)	Approx. Wt. Per 100(lbs.)
	D	C	C/C	S	T	L			
1/2	3/8	15/16	1 5/16	2 3/8	2	2 25/32	1220	1090	23
3/4	3/8	1 1/8	1 1/2	2 1/2	2	3	1220	1090	24
1	3/8	1 3/8	1 3/4	2 3/4	2	3 1/32	1220	1090	25
1 1/4	3/8	1 11/16	2 1/16	2 15/16	2 1/2	3 3/4	1220	1090	26
1 1/2	3/8	2	2 3/8	3	2 1/2	3 15/16	1220	1090	28
2	3/8	2 7/16	2 13/16	3 5/16	2 3/4	4 1/2	1220	1090	32
2 1/2	1/2	2 15/16	3 7/16	3 13/16	3	5 1/4	2260	2020	70
3	1/2	3 9/16	4 1/16	4	3	5 3/4	2260	2020	76
3 1/2	1/2	4 1/16	4 9/16	4 1/4	3	6 1/4	2260	2020	80
4	1/2	4 9/16	5 1/16	4 1/2	3	6 3/4	2260	2020	86
5	1/2	5 5/8	6 1/8	5	3	7 25/32	2260	2020	100
6	5/8	6 3/4	7 3/8	6 1/16	3 1/2	9 3/8	3620	3230	198
8	5/8	8 3/4	9 3/8	6 15/16	3 1/2	11 1/4	3620	3230	226
10	3/4	10 7/8	11 5/8	8 3/8	4	13 3/4	5420	4830	394
12	7/8	12 7/8	13 3/4	9 5/8	4 1/2	15 1/16	7540	6730	640
14	7/8	14 1/8	15	10 1/4	5	16 1/4	7540	6730	830
16	7/8	16 1/8	17	11 1/4	5	17 3/4	7540	6730	920
18	1	18 1/8	19 1/8	13	6	20 1/2	9920	8850	1067
20	1	20 1/8	21 1/8	14	6	23 3/4	9920	8850	1474
24	1	24 1/8	25 1/8	16	6	27	9920	8850	1708

This specification sheet is for reference only. Aimco International Group Corp. reserves the right to make changes to the design without prior notice.

A-FIG 64	Plain
A-FIG 64Z	Zinc
A-FIG 64H	HDG

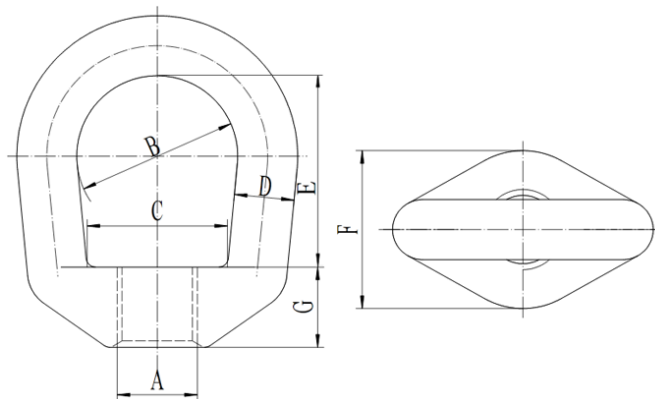
WELDLESS EYE NUT

FUNCTION: Designed for use in high strength and high temperature piping applications.

APPROVALS: Complies with Manufactures' Standardization Society (MSS) SP-58 & SP-69 (Type 17). Complies with Federal Specifications A-A-1192A (Type 17).

MATERIAL: Forged Steel

FINISH: Available in Plain, Zinc Electro-Galvanized, Hot-Dip Galvanized



Rod Size A	Specification Data						Rec. Max. Load 343°C (lbs.)	Rec. Max. Load 399°C (lbs.)	Approx. Wt. Per 100 (lbs.)
	B	C	D	E	F	G			
3/8	1 1/2	1 3/16	1/2	2	1 3/8	11/16	630	570	66
1/2	1 1/2	1 3/16	1/2	2	1 3/8	11/16	1350	1050	66
5/8	1 1/2	1 3/16	1/2	2	1 3/8	11/16	2160	1692	65
3/4	1 1/2	1 3/16	1/2	2	1 3/8	11/16	3230	2530	58
7/8	2	1 13/16	3/4	2 3/8	1 15/16	1	4480	3508	162
1	2	1 13/16	3/4	2 3/8	1 15/16	1	5900	4620	159
1 1/4	2 1/2	1 13/16	1	3 3/8	2 3/8	1 1/4	9500	7740	350
1 1/2	2 1/2	1 13/16	1	3 3/8	2 3/8	1 1/4	13800	10800	350
1 3/4	4	4	1 1/2	6 1/4	4	2 1/4	18600	14566	1640
2	4	4	1 1/2	6 1/4	4	2 1/4	24600	19265	1675
2 1/4	4	4	1 1/2	6 1/4	4	2 1/4	32300	25295	1675
2 1/2	4	4	1 1/2	6 1/4	4	2 1/4	39800	31169	1675

This specification sheet is for reference only. Aimco International Group Corp. reserves the right to make changes to the design without prior notice.

A-FIG 63	Plain
A-FIG 63Z	Zinc
A-FIG 63H	HDG

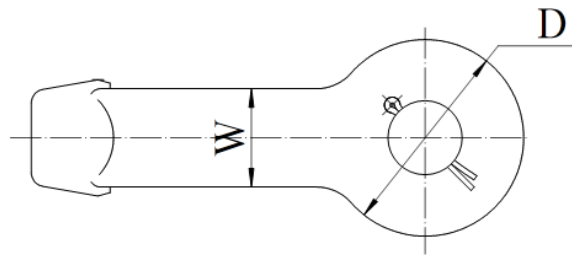
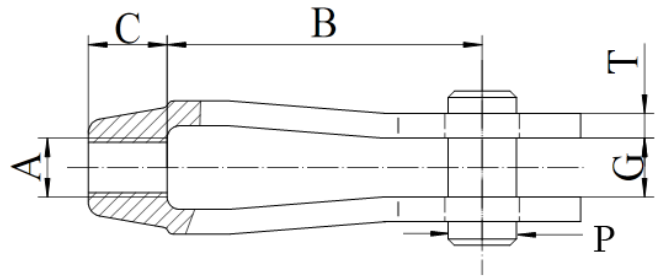
FORGED STEEL CLEVIS

FUNCTION: Designed for use as a convenient method of connecting hanger rod to pipe lugs, angles. Designed for use on high temperature piping installations.

APPROVALS: Complies with Manufactures' Standardization Society (MSS) SP-58 & SP-69 (Type 14). Complies with Federal Specifications A-A-1192A (Type 14).

MATERIAL: Forged Steel

FINISH: Available in Plain, Zinc Electro-Galvanized, Hot-Dip Galvanized



Rod Size A	Clevis Size No.	Specification Data							Rec. Max. Load 343°C (lbs.)	Rec. Max. Load 399°C (lbs.)	Approx. Wt. Each (lbs.)
		B	C	D	Grip G	Pin Dia. P	T	W			
3/8	2	3 9/16	5/8	1 7/16	1/2	1/2	5/16	1 1/16	730	572	1
1/2	2	3 9/16	5/8	1 7/16	1/2	5/8	5/16	1 1/16	1350	1055	1
5/8	2	3 9/16	5/8	1 7/16	5/8	3/4	5/16	1 1/16	2160	1690	1.1
3/4	2 1/2	4	1	2 1/2	3/4	7/8	5/16	1 1/4	3230	2530	2.3
7/8	2 1/2	4	1	2 1/2	7/8	1	5/16	1 1/4	4480	3508	2.5
1	3	5 1/16	1 1/4	3	1	1 1/8	1/2	1 1/2	5900	4620	5.1
1 1/4	3	5 1/16	1 1/4	3	1 1/4	1 3/8	1/2	1 1/2	9500	7440	5.6
1 1/2	3 1/2	6	1 1/2	3 1/2	1 1/2	1 5/8	1/2	1 3/4	13800	10807	8.1
1 3/4	4	6	1 3/4	4	1 1/2	1 7/8	1/2	2	18600	14566	12.9
2	5	7	2 1/4	5	2 1/2	2 1/4	5/8	2 1/2	24600	19265	23
2 1/4	6	8	2 3/4	6	2 1/2	2 1/2	3/4	3	32300	25295	35
2 1/2	6	8	2 3/4	6	2 1/2	2 3/4	3/4	3	39800	31169	36
2 3/4	7	9	3	7	2 1/2	3	7/8	3 1/2	49400	38680	50
3	7	9	3	7	2 1/2	3 1/4	7/8	3 1/2	60100	47066	51
3 1/4	8	10	4	8	4	3 1/2	1 1/2	4	71900	56300	116
3 1/2	8	10	4	8	4	3 3/4	1 1/2	4	84700	66330	118
3 3/4	8	10	4	8	4	4	1 1/2	4	98500	77139	120
4	8	10	4	8	4	4 1/4	1 1/2	4	113400	88805	122

This specification sheet is for reference only. Aimco International Group Corp. reserves the right to make changes to the design without prior notice.

A-FIG 65	Plain
A-FIG 65Z	Zinc

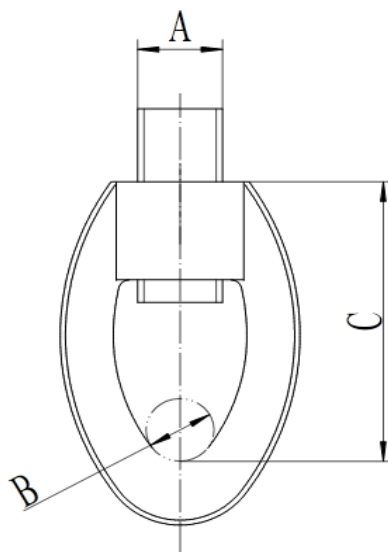
MALLEABLE EYE SOCKET

FUNCTION: Designed for attaching hanger rod to various types of hanger attachments.

APPROVALS: Complies with Manufactures' Standardization Society (MSS) SP-58 & SP-69 (Type 16). Complies with Federal Specification A-A-1192A (Type 16).

MATERIAL: Malleable Iron

FINISH: Available in Plain and Zinc Electro-Galvanized



Rod Size A	Specification Data			Rec. Max. Load (lbs.)	Approx. Wt. Per 100 (lbs.)
	Iron Pipe Size	B (Max. Bolt Size)	C		
1/4	3/8	1/4	1 11/32	230	5
3/8	1/2 – 2	1/4	1 11/32	610	7
1/2	2 1/2 – 3 1/2	1/4	1 17/32	1000	13
5/8	4 – 5	3/8	1 13/16	1400	19
3/4	6	1/2	2 5/32	2200	31
7/8	8	1/2	2 11/32	2300	44

This specification sheet is for reference only. Aimco International Group Corp. reserves the right to make changes to the design without prior notice.

A-FIG 60WZ

Zinc

COACH SCREW ROD

FUNCTION: Designed for use as a vertical hanger attachment to wood structures.

MATERIAL: Carbon Steel

FINISH: Zinc Electro-Galvanized

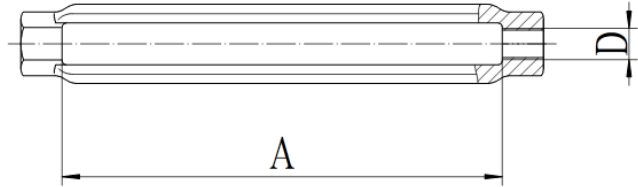


Size	Specification Data		Approx. Wt. Per 100 (lbs.)
	B	C	
3/8 x 3 1/2	1 5/8	1 5/8	7.5
3/8 x 4 1/2	1 5/8	1 5/8	10.0
3/8 x 6	1 5/8	1 5/8	13.8
3/8 x 8	1 5/8	1 5/8	17.5
3/8 x 10	1 5/8	1 5/8	21.8
3/8 x 12	1 5/8	1 5/8	26.8
1/2 x 4	1 5/8	1 5/8	15.0
1/2 x 6	1 5/8	1 5/8	23.2
1/2 x 8	1 5/8	1 5/8	31.3

This specification sheet is for reference only. Aimco International Group Corp. reserves the right to make changes to the design without prior notice.

A-FIG 68	Plain
A-FIG 68Z	Zinc
A-FIG 68H	HDG

TURNBUCKLE



FUNCTION: Designed as an adjustable hanger rod connection. Tapped right hand and left hand thread.

APPROVALS: Complies with Manufactures' Standardization Society (MSS) SP-58 & SP-69 (Type 13). Complies with Federal Specifications A-A-1192A (Type 13).

MATERIAL: Forged Steel

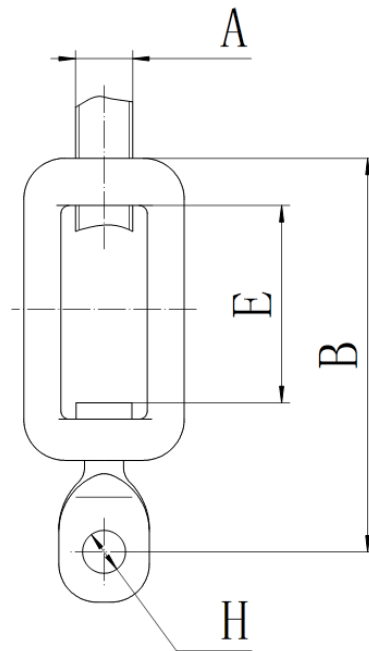
FINISH: Available in Plain, Zinc Electro-Galvanized, Hot-Dip Galvanized

Rod Size D	Specification Data	Rec. Max. Load (lbs.)	Approx. Wt. Per 100 (lbs.)
	A		
3/8	6	730	42
1/2	6	1350	65
5/8	6	2160	98
3/4	6	3230	145
7/8	6	4480	185
1	6	5900	260
1 1/4	6	9500	445
1 1/2	6	13800	640
1 3/4	6	18600	1100
2	6	24600	1490
2 1/4	6	32300	1960
2 1/2	6	39800	2690

This specification sheet is for reference only. Aimco International Group Corp. reserves the right to make changes to the design without prior notice.

A-FIG 114	Plain
A-FIG 114Z	Zinc
A-FIG 114H	HDG

TURNBUCKLE ADJUSTER



FUNCTION: Designed to provide an adjustable threaded connection for hanger rods.

APPROVALS: Complies with Manufactures' Standardization Society (MSS) SP-58 & SP-69 (Type 15). Complies with Federal Specifications A-A-1192A (Type 15).

MATERIAL: Malleable Iron

FINISH: Available in Plain, Zinc Electro-Galvanized, Hot-Dip Galvanized

Rod Size A	Pipe Size	Specification Data			Rec. Max. Load (lbs.)	Approx. Wt. Per 100 (lbs.)
		B	E	H		
3/8	1/2 - 2	4.30	2	0.41	730	30
1/2	2 1/2 - 3 1/2	4.30	2	0.41	730	28

This specification sheet is for reference only. Aimco International Group Corp. reserves the right to make changes to the design without prior notice.

A-FIG 62

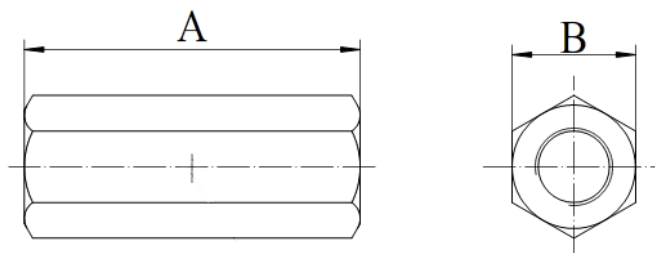
Zinc

ROD COUPLING

FUNCTION: Designed to provide a means of connecting two lengths of rod with equal diameters.

MATERIAL: Carbon Steel

FINISH: Zinc Electro-Galvanized



Rod Size	Specification Data		Rec. Max. Load (lbs.)	Approx. Wt. Per 100 (lbs.)
	A	B		
3/8	1 3/4	9/16	730	11
1/2	1 3/4	11/16	1350	10
5/8	2 1/8	13/16	2160	18
3/4	2 1/4	1	3230	28
7/8	2 1/2	1 1/4	4480	58
1	2 1/2	1 1/4	5900	46
1 1/4	3	1 5/8	6660	140
1 1/2	4	2	7000	196

This specification sheet is for reference only. Aimco International Group Corp. reserves the right to make changes to the design without prior notice.

A-FIG 411

Plain

A-FIG 411Z

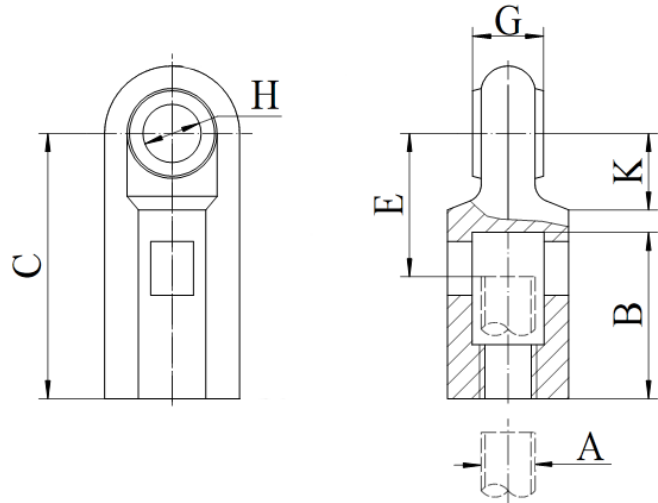
Zinc

EXTENSION PIECE

FUNCTION: Designed for attaching hanger rod to various types of attachments. Allows a 1" vertical adjustment of the rod. Usually used in conjunction with A-FIG 410 Center Beam Clamp.

MATERIAL: Malleable Iron

FINISH: Available in Plain and Zinc Electro-Galvanized

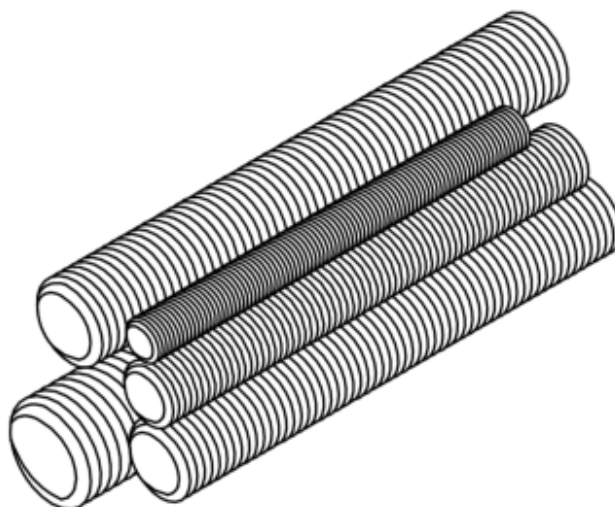


Rod Size A	Iron Pipe Size	Specification Data						Rec. Max. Load (lbs.)	Approx. Wt. Per 100 (lbs.)
		B	C	E	G	H	K		
3/8	3/4 - 2	1 5/16	2 1/16	1 3/16	1/2	1/2	9/16	610	19
1/2	2 1/2 - 3 1/2	1 7/16	2 5/16	1 5/16	5/8	1/2	11/16	1130	41
5/8	4 - 5	1 9/16	2 7/16	1 7/16	5/8	1/2	3/4	1810	42
3/4	6	1 7/8	2 7/8	1 9/16	5/8	1/2	7/8	2710	68
7/8	8 - 12	2	3 1/16	1 11/16	3/4	9/16	7/8	2950	78

This specification sheet is for reference only. Aimco International Group Corp. reserves the right to make changes to the design without prior notice.

A-FIG 54	Plain
A-FIG 54Z	Zinc
A-FIG 54H	HDG
A-FIG 54SS	SS

ALL THREADED ROD



FUNCTION: Designed for attaching hangers to structural attachments.

APPROVALS: Complies with the requirements of ASTM A307 Grade A Specifications, Class 2 Thread.

MATERIAL: Mild Steel (C1008-C1020) – Grade 2

FINISH: Available in Plain, Zinc Electro-Galvanized, Hot-Dip Galvanized, Stainless Steel

Size	Specification Data			Approx. Wt. Per Ft. (lbs.)
	Threads Per Inch	Rec. Max. Load 343°C (lbs.)	Rec. Max. Load 399°C (lbs.)	
1/4	20	240	-	0.12
5/16	18	400	-	0.19
3/8	16	730	572	0.29
1/2	13	1350	1057	0.53
5/8	11	2160	1692	0.84
3/4	10	3230	2530	1.22
7/8	9	4480	3508	1.69
1	8	5900	4620	2.23

This specification sheet is for reference only. Aimco International Group Corp. reserves the right to make changes to the design without prior notice.

Section 7: Attachments

A-QD

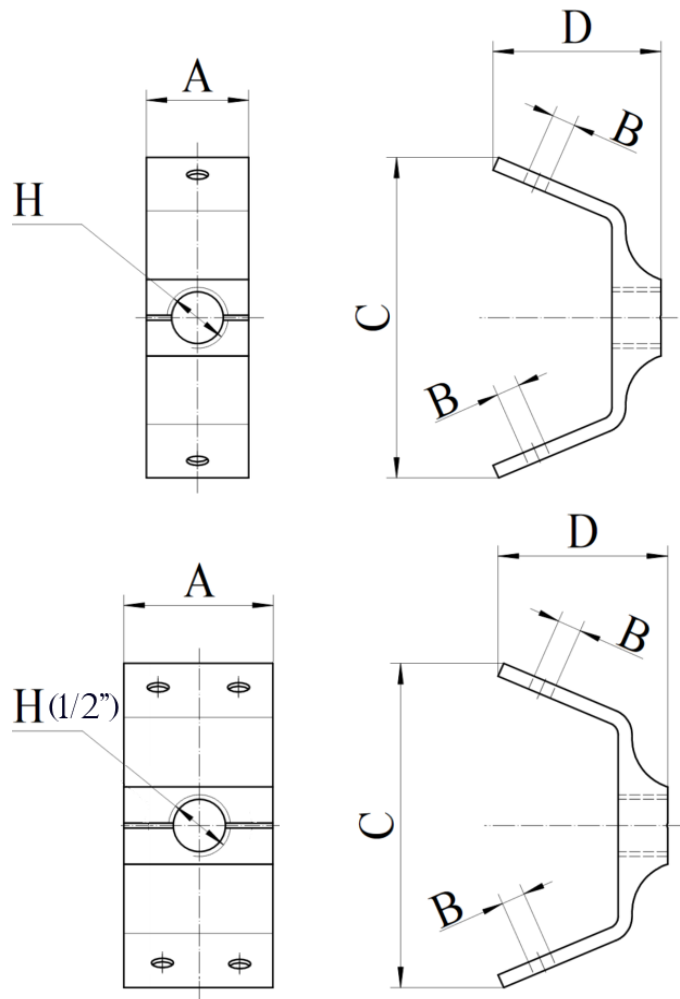
Aluminum

ALUMINUM Q-DECK HANGER

FUNCTION: One of the only hangers on the market designed to suspend threaded rod from the Q-Deck. It is the fastest and most economical way to hang plumbing pipes, light fixtures, sheet metal ducts, display fixtures, and other devices from a Q-Deck. Designed to eliminate unsightly holes chiseled or punched in the side of the Q-Deck, weakening the deck, also designed to keep damage to roof insulation to minimum. Designed to be used as a pre-insert in concrete when used on top of deck, by threading the rod up 2 1/2" and putting a hex knot on the rod, where there is concrete poured on top of the Q-Deck.

MATERIAL: 6061-T6 Aluminum Alloy

NOTE: *Only the 1/2" Rod Size has 4 holes for securing screws, and width (dimension A) of 1 1/2"



Rod Size H	Specification Data				Pull-Test Top (lbs.)	Pull-Test Bottom (lbs.)	Rec. Max. Load 5:1 Safety Top (lbs.)	Rec. Max. Load 5:1 Safety Bottom (lbs.)	Approx. Wt. Per 100 (lbs.)
	A	B	C	D					
1/4	4/5	0.18	2 7/16	1 1/4	1570	1130	314	226	4.4
3/8	4/5	0.18	2 7/16	1 1/4	1570	1130	314	226	4.4
1/2*	1 1/2	0.18	2 7/16	1 1/4	1850	1320	364	263	8.1

This specification sheet is for reference only. Aimco International Group Corp. reserves the right to make changes to the design without prior notice.

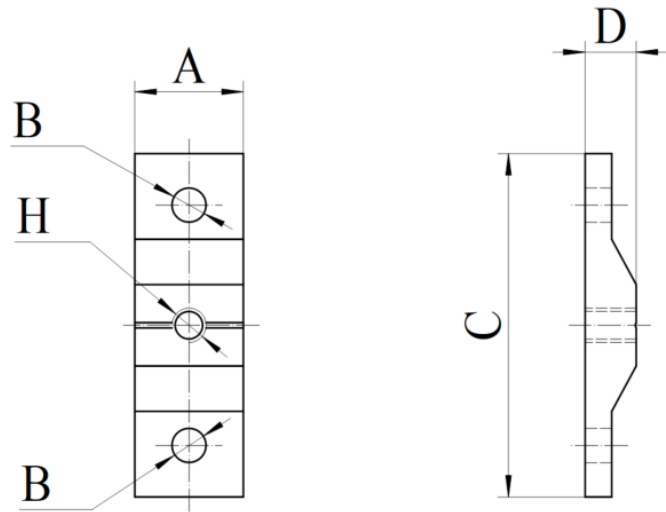
A-CF

Aluminum

ALUMINUM CEILING FLANGE

FUNCTION: Designed for use in conjunction with threaded rods, mount aluminum ceiling flange to any type of surface, tested to hold steady no matter where they are attached. Designed to hang items such as security cameras, smoke detectors, and other devices.

MATERIAL: 6061-T6 Aluminum Alloy



Rod Size H	Specification Data				Anchor Test (lbs.)	Rec. Max. Load 5:1 Safety (lbs.)	Approx. Wt. Per 100 (lbs.)
	A	B	C	D			
1/4	4/5	1/4	2 1/2	3/8	2800	560	4.4
3/8	4/5	1/4	2 1/2	3/8	3300	660	4.4
1/2	1 1/5	1/4	2 1/2	3/8	3300	660	6.3

This specification sheet is for reference only. Aimco International Group Corp. reserves the right to make changes to the design without prior notice.

A-FIG 115

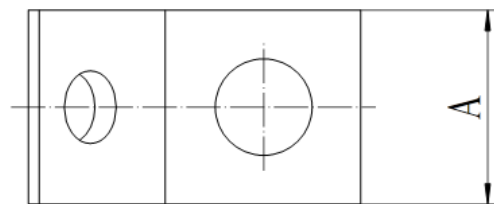
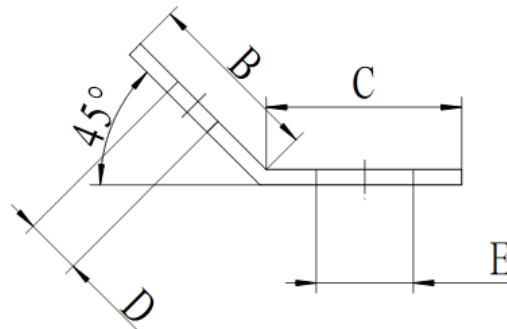
Zinc

45° BRACING ATTACHMENT

FUNCTION: Designed as a bracing attachment for wire rope bracing. Cable brace with cable loop anchored to concrete deck, steel beam or joist using A-FIG 115 45° Bracing Attachment.

MATERIAL: Mild Steel

FINISH: Zinc Electro-Galvanized



Mounting Hole for 3/8" Bolt D	Wire Bracing Attachment Hole E	Specification Data				Approx. Wt. Per 100 (lbs.)
		A	B	C	Material	
7/16	3/4	1 5/8	1 3/8	1 1/2	11Ga x 1 1/2	13

This specification sheet is for reference only. Aimco International Group Corp. reserves the right to make changes to the design without prior notice.

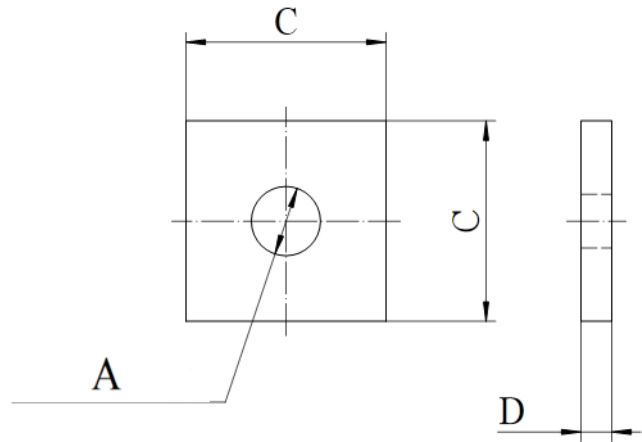
A-2x2	HDG
A-3x3	HDG
A-4x4	HDG

STEEL WASHER PLATE

FUNCTION: Designed as a heavy duty washer to suspend hanger rods.

MATERIAL: Carbon Steel

FINISH: Hot-Dip Galvanized



Rod Size	Specification Data			Approx. Wt. Per 100 (lbs.)
	Hole Dia. A	D	C x C	
3/8	7/16	1/4	2 x 2	23.5
1/2	9/16			23.4
5/8	11/16			23.3
3/4	13/16			23.2
3/8	7/16	1/4	3 x 3	53.9
1/2	9/16			53.8
5/8	11/16			53.7
3/4	13/16			53.6
3/8	7/16	1/4	4 x 4	101.5
1/2	9/16			101.4
5/8	11/16			101.3
3/4	13/16			101.2

This specification sheet is for reference only. Aimco International Group Corp. reserves the right to make changes to the design without prior notice.

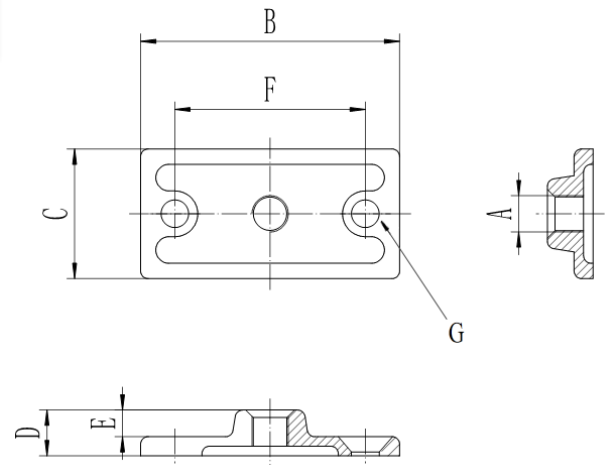
A-FIG 28	Plain
A-FIG 28Z	Zinc
A-FIG 28C	Copper Epoxy
A-FIG 28SS	SS

CEILING FLANGE

FUNCTION: Designed to provide a means of attaching hanger rod to beams or ceilings.

MATERIAL: Available in Malleable Iron and Stainless Steel

FINISH: Available in Plain, Zinc Electro-Galvanized, Copper Powder Epoxy, Stainless Steel



Rod Size A	Specification Data					Max. Bolt Dia. G	Rec. Max. Load (lbs.)	Approx. Wt. Per 100 (lbs.)
	B	C	D	E	F			
1/4	2 11/16	1 3/8	1/2	3/16	2	1/4	180	17
3/8	2 11/16	1 3/8	1/2	3/16	2	1/4	180	17
1/2	2 11/16	1 3/8	1/2	3/16	2	1/4	180	18

This specification sheet is for reference only. Aimco International Group Corp. reserves the right to make changes to the design without prior notice.

A-37

Zinc

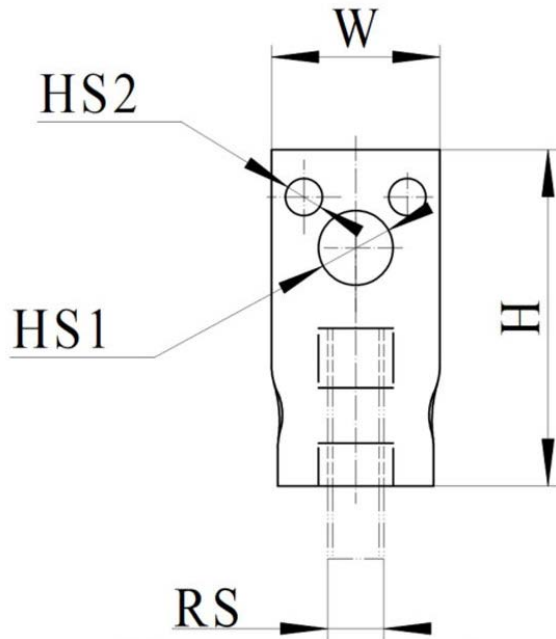
STEEL EYE SOCKET ROD HANGER

FUNCTION: Designed for attaching hanger rods to structures.

MATERIAL: Steel

FINISH: Zinc Electro-Galvanized

NOTE: The 1/2" size does not have 2 small holes (HS2)



Rod Size RS	Specification Data					Rec. Max. Load (lbs.)	Approx. Wt. Per 100 (lbs.)
	HS1	HS2	H	W	Pipe Size		
3/8	1/2	1/4	2 1/4	1 1/8	3/4 - 4	250	9.5
1/2	11/16	-	2 3/4	1 1/2	2 1/2 - 8	760	14.5

This specification sheet is for reference only. Aimco International Group Corp. reserves the right to make changes to the design without prior notice.

A-38

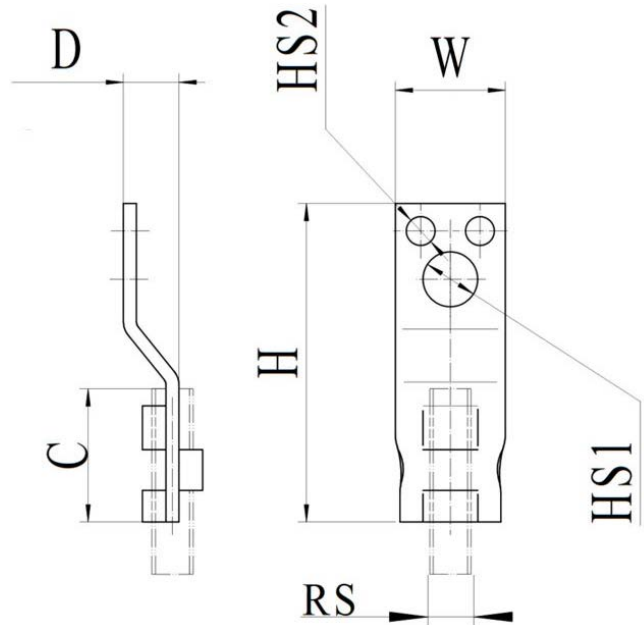
Zinc

OFFSET STEEL EYE SOCKET ROD HANGER

FUNCTION: Designed for attaching hanger rods to structures. The offset design provides full vertical rod adjustment.

MATERIAL: Steel

FINISH: Zinc Electro-Galvanized



Rod Size RS	Specification Data							Rec. Max. Load (lbs.)	Approx. Wt. Per 100 (lbs.)
	HS1	HS2	H	W	C	D	Pipe Size		
3/8	1/2	1/4	3 1/4	1 1/8	1 3/16	3/4	4 Max	250	10

This specification sheet is for reference only. Aimco International Group Corp. reserves the right to make changes to the design without prior notice.

A-A350

Zinc

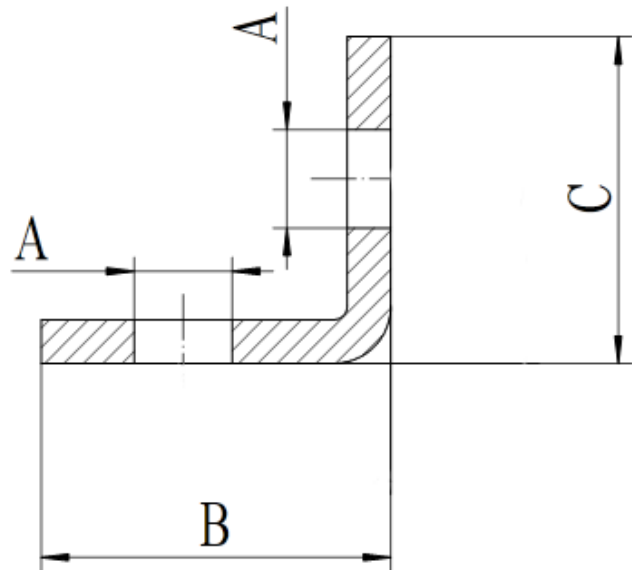
SIDE BEAM BRACKET

FUNCTION: Designed for attaching hanger rod to the side of beams or walls.

APPROVALS: Complies with Manufactures' Standardization Society (MSS) SP-58 & SP-69 (Type 34). Complies with Federal Specification A-A-1192A (Type 34).

MATERIAL: Carbon Steel

FINISH: Zinc Electro-Galvanized



Rod Size	Specification Data				Rec. Max. Load with Lag Screw (lbs.)	Rec. Max. Load with Bolt to Steel (lbs.)	Approx. Wt. Per 100 (lbs.)
	Hole Dia. A	B	C	Material Thickness			
3/8	7/16	1 7/8	2	1/4	650	1150	36
1/2	9/16	1 7/8	2	1/4	650	1150	35
5/8	11/16	3	3	3/8	850	2000	75
3/4	13/16	3 7/16	3 1/2	3/8	900	2200	73

This specification sheet is for reference only. Aimco International Group Corp. reserves the right to make changes to the design without prior notice.

A-327

Plain

A-327Z

Zinc

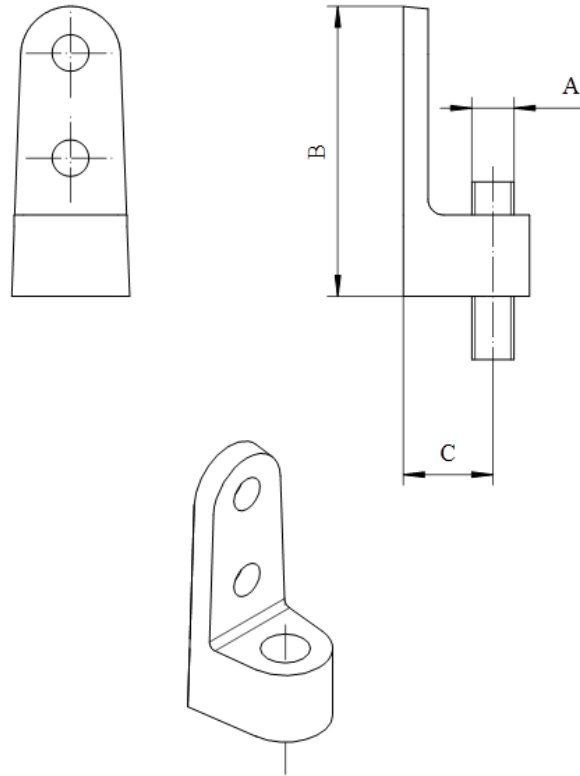
SIDE BEAM ATTACHMENT

FUNCTION: Designed for attaching hanger rod to the side of beams or walls where two drive screws are necessary for proper support.

APPROVALS: Complies with Manufactures' Standardization Society (MSS) SP-58 & SP-69 (Type 34). Complies with Federal Specification A-A-1192A (Type 34).

MATERIAL: Malleable Iron

FINISH: Available in Plain and Zinc Electro-Galvanized



Rod Size A	Specification Data			Rec. Max. Load (lbs.)	Approx. Wt. Per 100 (lbs.)
	B	C	Drive Screw Size		
3/8	2 3/16	9/16	#12 x 1 1/2	250	13
1/2	2 3/4	3/4	#14 x 1 1/2	480	25

This specification sheet is for reference only. Aimco International Group Corp. reserves the right to make changes to the design without prior notice.

A-FIG 66	Plain
A-FIG 66Z	Zinc
A-FIG 66H	HDG

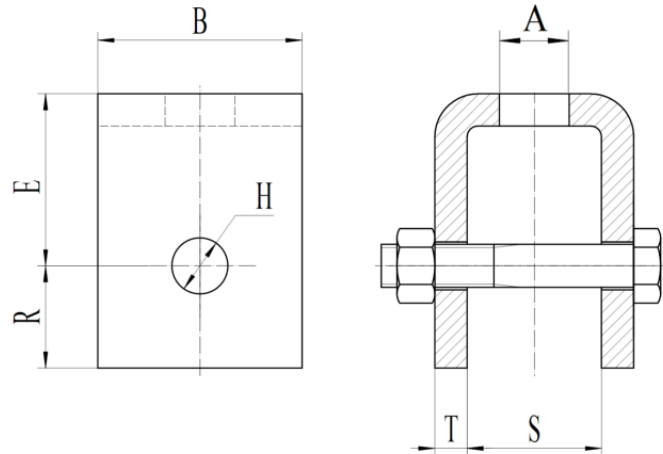
WELDED BEAM ATTACHMENT (WITH BOLT & NUT)

FUNCTION: Designed for attaching hanger rod to the bottom flange of a beam. If installed in the inverted position, the hanger rod can be vertically adjusted otherwise bolt and nut are required.

APPROVALS: Complies with Manufactures' Standardization Society (MSS) SP-58 and SP-69 (Type 22). Complies with Federal Specifications A-A-1192A (Type 22).

MATERIAL: Carbon Steel, with bolt and nut

FINISH: Available in Plain, Zinc Electro-Galvanized, Hot-Dip Galvanized



Rod Size A	Specification Data						Bolt or Pin Size	Rec. Max. Load 343°C (lbs.)	Rec. Max. Load 399°C (lbs.)	Approx. Wt. Per 100 (lbs.)
	E	B	H	R	S	T				
3/8	2	2	9/16	7/8	1 1/4	1/4	1/2 x 2 1/2	730	572	117
1/2	2	2	11/16	7/8	1 1/4	1/4	5/8 x 2 3/4	1350	1057	131
5/8	2	2	13/16	7/8	1 1/4	1/4	3/4 x 2 3/4	2160	1692	155
3/4	2	2 1/2	15/16	1 1/8	1 7/8	3/8	7/8 x 4	3230	2530	279
7/8	3	2 1/2	1 1/8	1 1/4	2	3/8	1 x 4	4480	3508	394
1	3	3	1 1/4	1 1/2	2 3/4	1/2	1 1/8 x 5	5900	4620	629
1 1/4	3	4	1 1/2	2	3	5/8	1 3/8 x 6 1/2	9500	7440	1022
1 1/2	4	5	1 3/4	2 1/2	3 1/2	3/4	1 5/8 x 6 1/2	13800	10807	1902
1 3/4	5	5	2	2 3/4	3 3/4	3/4	1 7/8 x 6 7/8	18600	14566	2418
2	5	6	2 3/8	3 1/4	3 1/2	1/2	2 1/4 x 6 7/8	24600	19265	3055
2 1/4	5 3/4	6	2 5/8	3 1/2	3 1/2	5/8	2 1/2 x 7 3/8	32300	25295	3678
2 1/2	5 3/4	6	2 7/8	3 3/4	3 3/4	5/8	2 3/4 x 7 5/8	39800	31169	3970
2 3/4	5 3/4	6	3 1/8	4	3 3/4	5/8	3 x 7	49400	38687	4080
3	6 1/4	7	3 3/8	4	3 3/4	5/8	3 1/4 x 7	60100	47066	4670
3 1/4	7	7	3 5/8	4 1/2	4 1/4	3/4	3 1/2 x 7 3/4	71900	56307	6210
3 1/2	7 1/2	8	3 7/8	4 1/2	4 1/4	3/4	3 3/4 x 7 3/4	84700	66331	7240

This specification sheet is for reference only. Aimco International Group Corp. reserves the right to make changes to the design without prior notice.

A-FIG 67	Plain
A-FIG 67H	HDG

WELDED BEAM ATTACHMENT (WITHOUT BOLT & NUT)

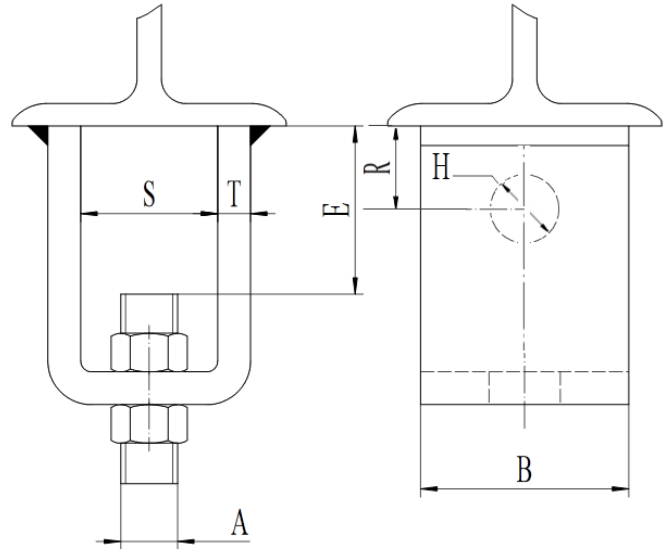
FUNCTION: For welding attachment to bottom of structural steel beams. Can be installed in the upright or inverted position.

APPROVAL: Complies with Manufactures' Standardization Society (MSS) SP-58 & SP-69 (Type 22). Complies with Federal Specifications A-A-1192A (Type 22).

MATERIAL: Carbon Steel

FINISH: Available in Plain and Hot-Dip Galvanized

NOTE: Without Bolt & Nut



Rod Size A	Specification Data						Rec. Max. Load 343°C (lbs.)	Rec. Max. Load 399°C (lbs.)	Approx. Wt. Per 100 (lbs.)
	E	B	H	R	S	T			
3/8	1 7/8	2	9/16	7/8	1 1/4	1/4	730	572	96
1/2	1 3/4	2	11/16	7/8	1 1/4	1/4	1350	1057	96
5/8	1 3/4	2	13/16	7/8	1 1/4	1/4	2160	1692	96
3/4	1 3/4	2 1/2	15/16	1 1/8	1 5/8	3/8	3230	2530	192
7/8	2 5/8	2 1/2	1 1/8	1 1/4	2	3/8	4480	3508	253
1	2 3/4	3	1 1/4	1 1/2	2 3/4	1/2	5900	4620	427
1 1/4	2 7/8	4	1 1/4	2	3	5/8	9500	7440	809
1 1/2	4	5	1 3/4	2 1/2	3 1/2	3/4	13800	10807	1560
1 3/4	5	5	2	2 3/4	3 3/4	3/4	18600	14566	1870

This specification sheet is for reference only. Aimco International Group Corp. reserves the right to make changes to the design without prior notice.

Section 8: Pipe Stays and Straps

A-FIG 129	Copper Epoxy
A-FIG 129CP	Copper Plated
A-FIG 129SS	SS

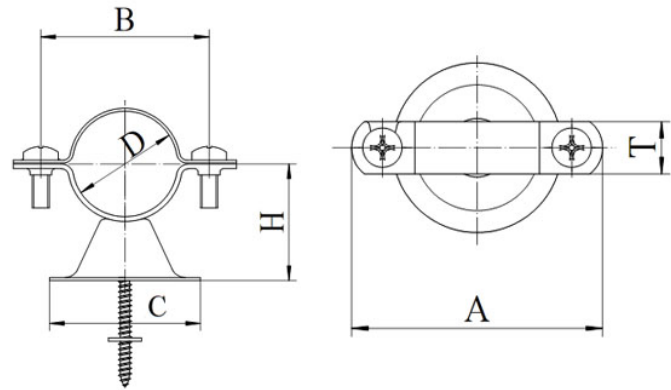
BELL (VAN) HANGER

FUNCTION: Designed to support copper tubing to wall. Supports the pipe 1" from the back of pipe to wall. Wood screw is concealed upon installation.

MATERIAL: Available in Carbon Steel and Stainless Steel

FINISH: Available in Copper Powder Epoxy with zinc screw, Copper Plated, Stainless Steel

NOTE: Assembled with #6 x 2" coarse thread drywall screw



Pipe Size	Specification Data						Approx. Wt. Per 100 (lbs.)
	Pipe O.D. D	A	B	C	H	T	
1/2	5/8	2 3/16	1 9/16	1 5/8	1 1/16	1/2	6
3/4	7/8	2 3/8	1 3/4	1 5/8	1 3/16	1/2	6
1	1 1/8	2 7/16	1 7/8	1 5/8	1 5/16	1/2	6
1 1/4	1 3/8	2 11/16	2 1/8	1 5/8	1 7/16	1/2	8
1 1/2	1 5/8	3 1/16	2 7/16	1 5/8	1 9/16	1/2	8
2	2 1/8	4 7/16	2 13/16	1 5/8	1 13/16	1/2	9

This specification sheet is for reference only. Aimco International Group Corp. reserves the right to make changes to the design without prior notice.

A-FIG 32S

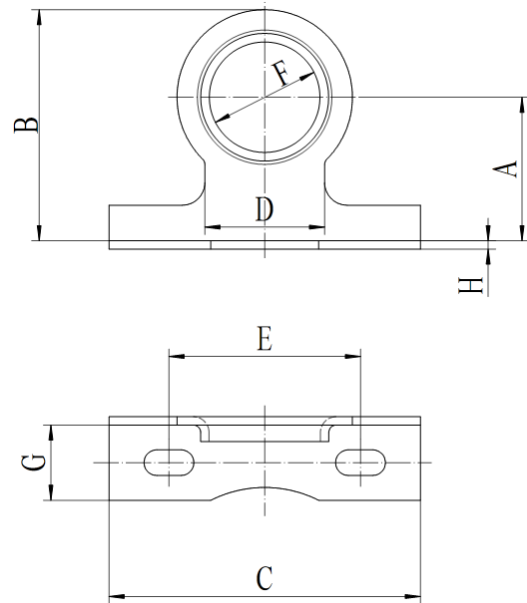
Black Epoxy

FUNCTION: Vertical or horizontal offset pipe guide.

MATERIAL: Carbon Steel

FINISH: Black Powder Epoxy

STANDARD PIPE STAY



Pipe Size	Specification Data								Fastener Options		Approx. Wt. Per 100 (lbs.)
	A	B	C	D	E	F	G	H	Wood Screw	Lag Screw	
1/2C x 3/8IP	1 1/8	1 13/16	2 1/2	1	1 3/4	11/16	3/4	16Ga	#10	#10	8
3/4C x 1/2IP	1 3/16	1 7/8	2 1/2	1	1 3/4	29/32	3/4	16Ga	#10	#10	8
1C x 3/4IP	1 1/2	2 7/16	3 1/4	1 1/4	2	1 5/32	3/4	16Ga	#14	1/4	11
1 1/4C x 1IP	1 1/2	2 9/16	3 1/4	1 1/4	2	1 13/32	3/4	16Ga	#14	1/4	16
1 1/2C x 1 1/4IP	2 1/2	3 5/8	4	1 3/4	3	1 23/32	15/16	14Ga	#16	1/4	20
1 1/2IP	2 5/8	4 3/16	4 1/2	2 3/16	3 1/4	1 31/32	1 1/16	14Ga	#16	1/4	24
2IP	2 11/16	4 3/16	4 1/2	2 3/16	3 1/4	2 7/16	1 1/16	14Ga	#16	1/4	30
2C	2 11/16	4 3/16	4 1/2	2 3/16	3 1/4	2 3/16	1 1/16	14Ga	#16	1/4	30

This specification sheet is for reference only. Aimco International Group Corp. reserves the right to make changes to the design without prior notice.

A-FIG 32E

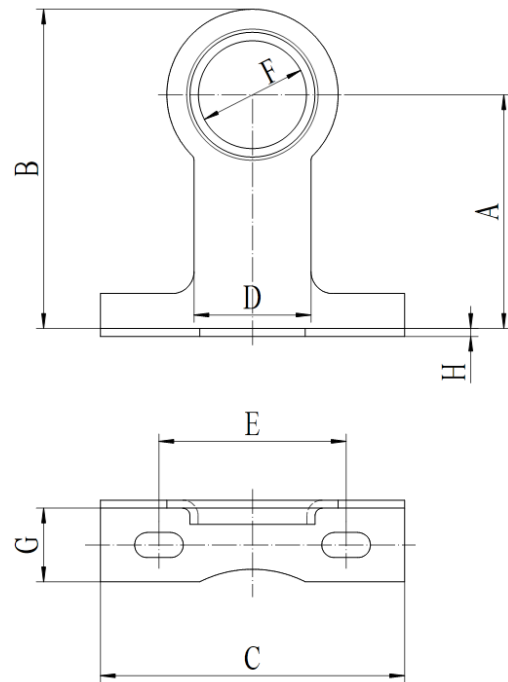
Black Epoxy

FUNCTION: Vertical or horizontal offset pipe guide.

MATERIAL: Carbon Steel

FINISH: Black Powder Epoxy

EXTENDED PIPE STAY



Pipe Size	Specification Data								Fastener Options		Approx. Wt. Per 100 (lbs.)
	A	B	C	D	E	F	G	H	Wood Screw	Lag Screw	
1/2C x 3/8IP	2 1/2	3 1/8	2 1/2	1	1 3/4	11/16	3/4	16Ga	#10	#10	10
3/4C x 1/2IP	2 1/2	3 1/4	2 1/2	1	1 3/4	29/32	3/4	16Ga	#10	#10	10
1C x 3/4IP	2 11/16	3 9/16	3 1/4	1 1/4	2	1 5/32	3/4	14Ga	#14	1/4	15
1 1/4C x 1IP	2 11/16	3 11/16	3 1/4	1 1/4	2	1 13/32	25/32	14Ga	#14	1/4	18

This specification sheet is for reference only. Aimco International Group Corp. reserves the right to make changes to the design without prior notice.

A-FIG 32D

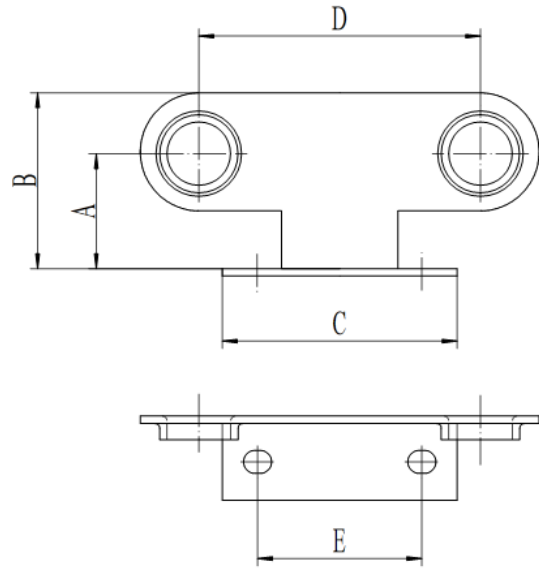
Black Epoxy

DOUBLE PIPE STAY

FUNCTION: Vertical or horizontal offset pipe guide.

MATERIAL: Carbon Steel

FINISH: Black Powder Epoxy



Pipe Size	Specification Data					Fastener Options		Approx. Wt. Per 100 (lbs.)
	A	B	C	D	E	Wood Screw	Lag Screw	
1/2C x 3/8IP	1 3/16	1 7/8	2 1/2	3	1 3/4	#10	#10	11
3/4C x 1/2IP	1 3/16	1 7/8	2 1/2	3	1 3/4	#10	#10	11

This specification sheet is for reference only. Aimco International Group Corp. reserves the right to make changes to the design without prior notice.

A-FIG 45	Zinc
A-FIG 45SS	SS

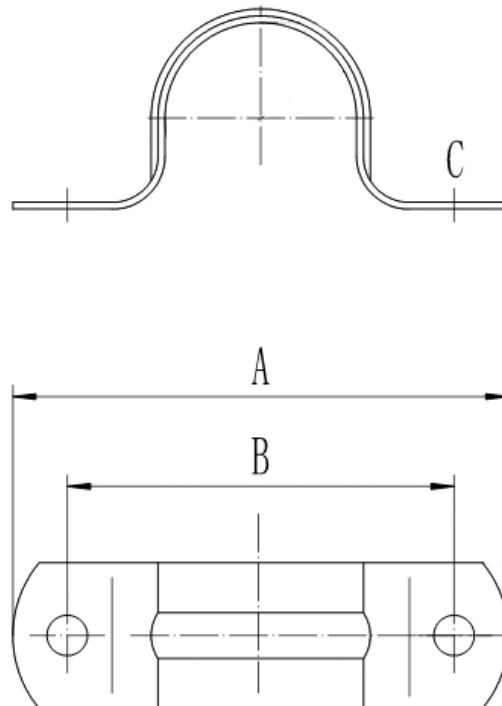
2-HOLE PIPE STRAP

FUNCTION: Designed to hold pipe or conduit flush with mounting surface for light duty applications.

APPROVALS: Complies with Manufacturers' Standardization Society (MSS) SP-58 & SP-69 (Type 26). Complies with Federal Specifications A-A-1192A (Type 26).

MATERIAL: Available in Carbon Steel and Stainless Steel

FINISH: Available in Zinc Electro-Galvanized and Stainless Steel



Iron Pipe Size	Specification Data				Approx. Wt. Per 100 (lbs.)
	A	B	Hole Dia. C	Material	
1/4	2 1/8	1 1/4	7/32	22Ga x 3/4	1
3/8	2 1/4	1 1/2	7/32	22Ga x 3/4	3
1/2	2 5/8	1 7/8	7/32	21Ga x 3/4	4
3/4	2 3/4	2	7/32	21Ga x 3/4	7
1	3 3/8	2 5/8	9/32	20Ga x 1	9
1 1/4	4 1/4	3 1/4	9/32	20Ga x 1	10
1 1/2	4 3/8	3 3/8	9/32	17Ga x 1	13
2	5	4	9/32	15Ga x 1	18
2 1/2	6 1/4	4 3/4	11/32	14Ga x 1	26
3	7 1/4	5 3/4	11/32	13Ga x 1	32
4	8 3/8	6 7/8	11/32	12Ga x 1	40
6	11 1/8	9 5/8	11/32	16Ga x 1 1/4	75

This specification sheet is for reference only. Aimco International Group Corp. reserves the right to make changes to the design without prior notice.

A-FIG 45C

Copper Epoxy

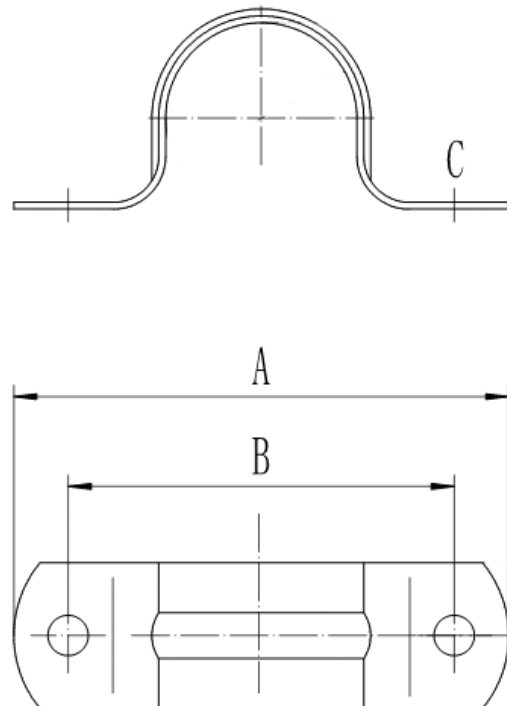
**COPPER EPOXY 2-HOLE
PIPE STRAP**

FUNCTION: Designed to hold copper tube or conduit flush with mounting surface for light duty applications.

APPROVALS: Complies with Manufactures' Standardization Society (MSS) SP-58 & SP-69 (Type 26). Complies with Federal Specifications A-A-1192A (Type 26).

MATERIAL: Carbon Steel

FINISH: Copper Powder Epoxy



Copper Tube Size	Specification Data				Approx. Wt. Per 100 (lbs.)
	A	B	Hole Dia. C	Material	
1/4	1 3/4	1 1/8	3/16	20Ga x 1/2	1
3/8	1 7/8	1 1/4	3/16	20Ga x 1/2	1
1/2	2 1/8	1 1/2	3/16	20Ga x 1/2	1
3/4	2 3/8	1 5/8	3/16	20Ga x 1/2	2
1	2 7/8	2 1/4	3/16	20Ga x 1/2	2
1 1/4	3 1/8	2 1/2	3/16	20Ga x 1/2	4
1 1/2	3 5/8	2 3/4	7/32	18Ga x 3/4	5
2	4 1/4	3 3/8	7/32	18Ga x 3/4	6

This specification sheet is for reference only. Aimco International Group Corp. reserves the right to make changes to the design without prior notice.

A-FIG 44E

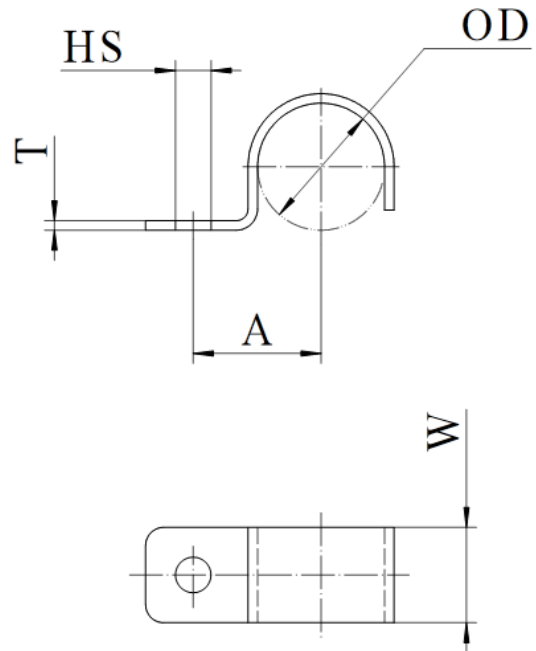
Zinc

EMT 1-HOLE STRAP

FUNCTION: Designed to support horizontal runs of conduit from the face of a structural member, and for the support of light duty pipe on walls or sides of beams.

MATERIAL: Carbon Steel

FINISH: Zinc Electro-Galvanized



EMT Conduit or Pipe Size	Specification Data					Approx. Wt. Per 100 (lbs.)
	OD	HS	A	W	T	
1/2	0.706	1/4	1 9/16	3/4	20Ga	3
3/4	0.922	1/4	2 3/16	3/4	19Ga	6
1	1.163	1/4	2 3/8	3/4	18Ga	8
1 1/4	1.510	1/8	3 5/16	7/8	16Ga	9
1 1/2	1.740	3/16	3 11/16	7/8	15Ga	12
2	2.197	3/8	4 11/16	1 1/4	11Ga	16

This specification sheet is for reference only. Aimco International Group Corp. reserves the right to make changes to the design without prior notice.

A-FIG 44

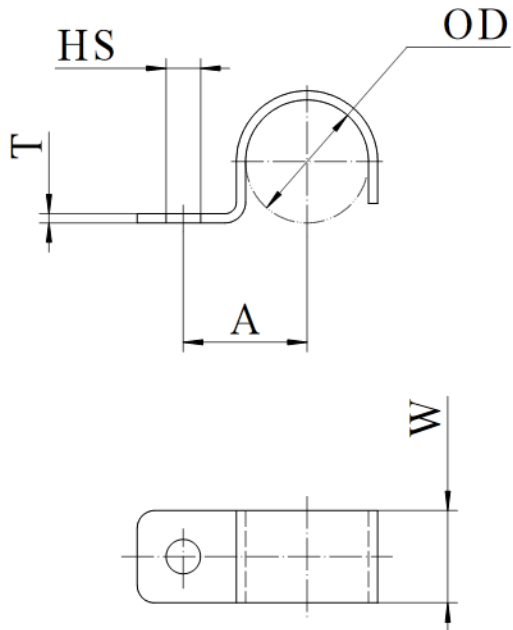
Zinc

RIGID 1-HOLE STRAP

FUNCTION: Designed to support horizontal runs of piping from the face of a structural member, and for the support of light duty conduit on walls or sides of beams.

MATERIAL: Carbon Steel

FINISH: Zinc Electro-Galvanized



Rigid Conduit or Pipe Size	Specification Data					Approx. Wt. Per 100 (lbs.)
	OD	HS	A	W	T	
3/8	0.675	1/4	1 1/8	5/8	20Ga	2
1/2	0.840	1/4	1 1/8	5/8	16Ga	3
3/4	1.050	1/4	1 1/4	5/8	14Ga	6
1	1.315	1/4	1 3/8	5/8	14Ga	8
1 1/4	1.660	1/4	1 9/16	7/8	13Ga	9
1 1/2	1.900	1/4	1 11/16	7/8	11Ga	12
2	2.375	1/4	1 15/16	7/8	11Ga	16

This specification sheet is for reference only. Aimco International Group Corp. reserves the right to make changes to the design without prior notice.

A-FIG 132

Zinc

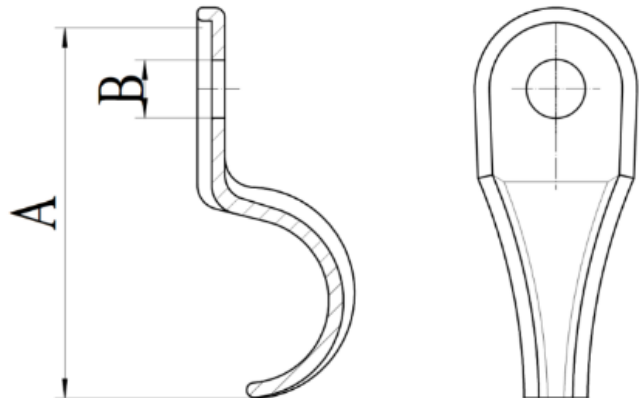
1-HOLE MALLEABLE CLAMP

FUNCTION: Designed for supporting light duty pipe against wood or concrete walls.

MATERIAL: Malleable Iron

FINISH: Zinc Electro-Galvanized

NOTE: Order A-FIG 132S One Hole Malleable Clamp Spacer separately if required



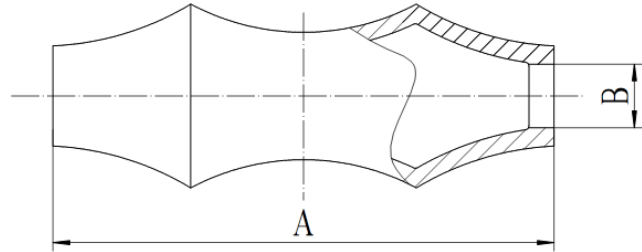
Pipe Size	Pipe O.D.	Specification Data		Approx. Wt. Per 100 (lbs.)
		A	B	
3/8	0.675	3/8	1/4	3
1/2	0.840	3/4	1/4	4
3/4	1.050	1	5/16	5
1	1.315	1 1/4	3/8	9
1 1/4	1.660	1 1/2	3/8	12
1 1/2	1.900	1 7/8	1/2	16
2	2.375	2	1/2	25

This specification sheet is for reference only. Aimco International Group Corp. reserves the right to make changes to the design without prior notice.

Section 9: Pipe Roller Supports

A-FIG 92	Plain
A-FIG 92Z	Zinc
A-FIG 92H	HDG
A-FIG 92SS	SS

LONG PIPE ROLL



FUNCTION: Designed for supporting pipe lines where horizontal movement may take place due to expansion and contraction.

MATERIAL: Gray Iron ASTM A-48 CLASS 25A

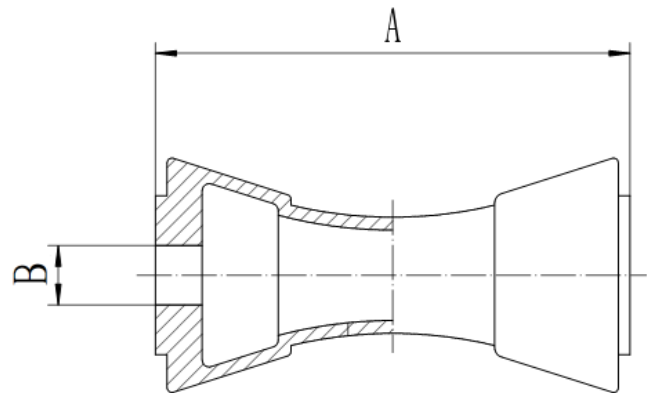
FINISH: Available in Plain, Zinc Electro-Galvanized, Hot-Dip Galvanized, Stainless Steel

Iron Pipe Size	Specification Data		Approx. Wt. Per 100 (lbs.)
	A	B (Rod Size)	
2	2 7/8	3/8	31
2 1/2	3 1/8	1/2	31
3	3 3/4	1/2	39
3 1/2	3 7/8	1/2	47
4	4 3/4	1/2	67
5	5 3/4	5/8	93
6	6 7/8	3/4	160
8	8 7/8	7/8	270
10	11	7/8	360
12	13	7/8	620
14	14 1/4	1 1/8	954
16	16 3/4	1 1/4	1260
18	18 5/16	1 1/4	1430
20	20 1/4	1 1/4	1670
24	24 1/4	1 1/2	2900
30	30 1/4	1 3/4	5100

This specification sheet is for reference only. Aimco International Group Corp. reserves the right to make changes to the design without prior notice.

A-FIG 92S	Plain
A-FIG 92SZ	Zinc
A-FIG 92SH	HDG
A-FIG 92SSS	SS

SHORT PIPE ROLL



FUNCTION: Designed for supporting pipe lines where horizontal movement may take place due to expansion and contraction.

MATERIAL: Gray Iron ASTM A-48 CLASS 25A

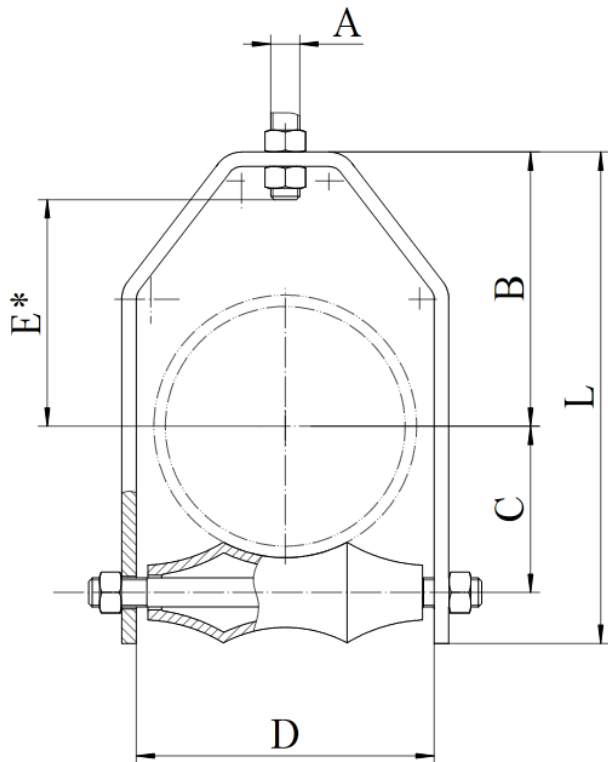
FINISH: Available in Plain, Zinc Electro-Galvanized, Hot-Dip Galvanized, Stainless Steel

Iron Pipe Size	Specification Data		Approx. Wt. Per 100 (lbs.)
	A	B (Rod Size)	
2 - 3 1/2	2 3/4	1/2	66
4 - 6	3 3/4	1/2	110
8 - 10	6	3/4	330
12 - 14	8	7/8	550
16 - 20	9	1 1/8	880
24	10	1 1/4	1100
26 - 30	12 3/8	1 3/4	2100
36 - 42	15	2	3000

This specification sheet is for reference only. Aimco International Group Corp. reserves the right to make changes to the design without prior notice.

A-FIG 93	Plain
A-FIG 93Z	Zinc
A-FIG 93H	HDG
A-FIG 93SS	SS

ADJUSTABLE ROLLER HANGER



FUNCTION: Designed for supporting pipe lines where horizontal movement may take place due to expansion and contraction, where vertical adjustment is necessary.

APPROVALS: Complies with Manufacturers' Standardization Society (MSS) SP-58 & SP-69 (Type 43). Complies with Federal Specifications A-A-1192A (Type 43).

MATERIAL: Gray Iron ASTM A-48 CLASS 25A Roller, with carbon steel Yoke, Axle, Hardware

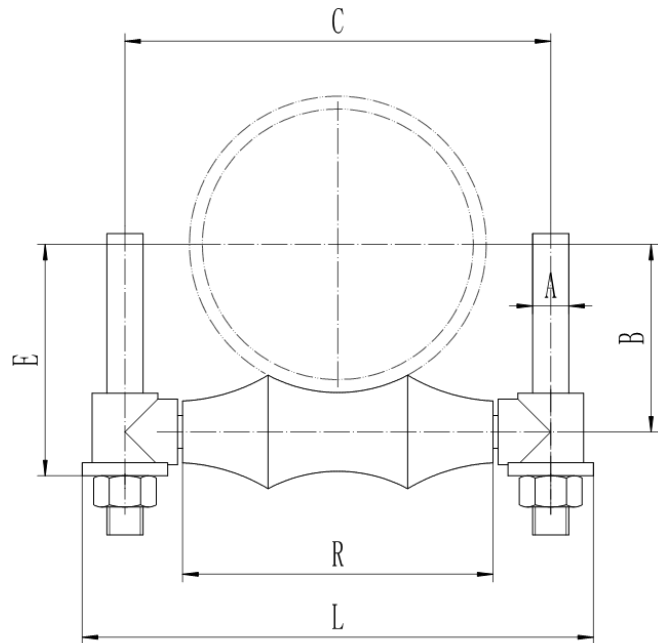
FINISH: Available in Plain, Zinc Electro-Galvanized, Hot-Dip Galvanized, Stainless Steel

Iron Pipe Size	Specification Data							Rec. Max. Load (lbs.)	Approx. Wt. Per 100 (lbs.)
	A	B	C	D	E* (Rod Take-Out)	L	Material		
2	1/2	4	1 5/8	3 1/8	2 1/4	6 1/2	1/4 x 1 1/4	280	168
2 1/2	1/2	3 7/8	2	3 3/8	2 3/4	6 5/8	1/4 x 1 1/4	280	195
3	1/2	4 3/8	2 1/4	4	3 3/8	7 1/4	1/4 x 1 1/4	310	200
3 1/2	1/2	4 5/8	2 1/2	4 1/2	3 5/8	8	1/4 x 1 1/4	390	260
4	5/8	4 3/4	2 3/4	5	3 3/4	8 1/2	1/4 x 1 1/2	475	300
5	5/8	5 7/8	3 3/8	6	4 1/4	10 1/4	5/16 x 1 1/2	600	512
6	3/4	5 7/8	4	7	4 1/4	11 3/8	3/8 x 2	780	650
8	7/8	7 1/4	5 1/8	9 1/4	5 1/2	13 3/4	3/8 x 2	780	1200
10	7/8	9	6 3/8	11 1/4	6 7/8	16 7/8	1/2 x 2	965	1715
12	7/8	9 5/8	7 3/8	13 1/4	7 7/8	18 7/8	1/2 x 2 1/2	1200	2750
14	1	11 1/4	8 3/8	14 3/4	9 1/4	21 7/8	1/2 x 2 1/2	1200	3600
16	1	12 1/4	9 3/8	17	10 1/4	24 1/8	1/2 x 2 1/2	1200	4945
18	1	13 1/4	10 1/2	18 3/4	11 1/4	26 3/8	1/2 x 3	1400	5535
20	1 1/4	14 1/4	11 5/8	20 1/4	12 1/4	28 1/8	5/8 x 3	1600	6335
24	1 1/2	15 7/8	14	24 3/4	15 3/4	31 7/8	5/8 x 4	1800	11930

This specification sheet is for reference only. Aimco International Group Corp. reserves the right to make changes to the design without prior notice.

A-FIG 95	Plain
A-FIG 95Z	Zinc
A-FIG 95H	HDG
A-FIG 95SS	SS

ADJUSTABLE 2-ROD ROLLER HANGER



FUNCTION: Designed for supporting pipe lines where horizontal movement may take place due to expansion and contraction.

APPROVALS: Complies with Manufacturers' Standardization Society (MSS) SP-58 & SP-69 (Type 41). Complies with Federal Specifications A-A-1192A (Type 41).

MATERIAL: Cast Iron Roller and End Sockets, with carbon steel Axle

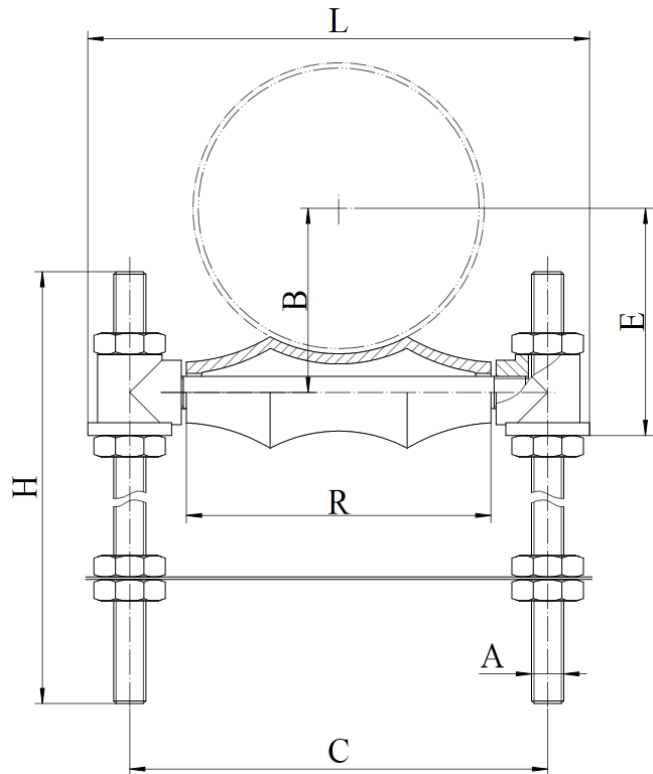
FINISH: Available in Plain, Zinc Electro-Galvanized, Hot-Dip Galvanized, Stainless Steel

Iron Pipe Size	Specification Data						Rec. Max. Load (lbs.)	Approx. Wt. Per 100 (lbs.)
	A	B	C	E	L	R		
2	3/8	1 9/16	4 3/8	2 3/16	5 5/8	2 7/8	600	57
2 1/2	1/2	1 7/8	5 1/8	2 5/8	6 1/2	3 1/8	660	100
3	1/2	2 1/8	5 5/8	2 7/8	7	3 3/4	700	110
3 1/2	5/8	2 1/2	5 7/8	3 1/4	7 1/4	3 7/8	750	135
4	5/8	2 13/16	7	3 13/16	8 9/16	4 3/4	750	165
5	5/8	3 3/8	8 1/8	4 3/8	9 3/4	5 3/4	750	257
6	3/4	3 15/16	9 3/4	4 15/16	11 5/8	6 7/8	1070	445
8	7/8	5 1/8	12 1/8	6 3/8	14 1/4	8 7/8	1350	715
10	7/8	6 1/4	14	7 1/2	16 1/4	11	1730	950
12	7/8	7 5/16	15 3/4	8 9/16	18	13	2400	1590
14	1	8 3/8	17 3/4	9 13/16	20 1/2	14 1/4	3130	2425
16	1	9 1/2	20 9/16	10 15/16	23 3/8	16 7/8	3970	3185
18	1	10 7/16	22	11 7/8	24 7/8	18 5/16	4200	3550
20	1 1/4	11 1/2	24	13 3/8	27	20 1/4	4550	4700
24	1 1/2	13 13/16	28 3/4	16 1/8	32	24 1/4	6160	7630
30	1 1/2	17 1/4	38 5/8	19 5/8	39 3/4	30 1/4	7290	12990

This specification sheet is for reference only. Aimco International Group Corp. reserves the right to make changes to the design without prior notice.

A-FIG 95S	Plain
A-FIG 95SZ	Zinc
A-FIG 95SH	HDG
A-FIG 95SSS	SS

ADJUSTABLE 2-ROD ROLLER SUPPORT



FUNCTION: Designed for supporting pipe lines where horizontal movement may take place due to expansion and contraction, and vertical adjustment of up to 6" may be necessary.

APPROVALS: Complies with Manufacturers' Standardization Society (MSS) SP-58 & SP-69 (Type 41). Complies with Federal Specifications A-A-1192A (Type 41).

MATERIAL: Cast Iron Roller and End Sockets, with carbon steel Axle, two Drop Rods, and eight hex nuts

FINISH: Available in Plain, Zinc Electro-Galvanized, Hot-Dip Galvanized, Stainless Steel

Iron Pipe Size	Specification Data									Rec. Max. Load (lbs.)	Approx. Wt. Per 100 (lbs.)
	Pipe O.D.	Axle Size	A	B	C	E	H	L	R		
2	2 3/8	3/8	3/8	1 9/16	4 3/8	2 3/16	12	5 5/8	2 7/8	600	45
2 1/2	2 7/8	1/2	1/2	1 7/8	5 1/8	2 5/8	12	6 1/2	3 1/8	600	254
3	3 1/2	1/2	1/2	2 1/8	5 5/8	2 7/8	12	7	3 3/4	700	274
3 1/2	4	1/2	5/8	2 1/2	5 7/8	3 1/4	12	7 1/4	3 7/8	750	285
4	4 1/2	1/2	5/8	2 13/16	7	3 13/16	12	8 9/16	4 3/4	750	432
5	5 1/2	5/8	5/8	3 3/8	8 1/8	4 3/8	12	9 3/4	5 3/4	750	478
6	6 5/8	3/4	3/4	3 15/16	9 3/4	4 15/16	12	11 5/8	6 7/8	1070	771
8	8 5/8	7/8	7/8	5 1/8	12 1/8	6 3/8	12	14 1/4	8 7/8	1350	1221
10	10 3/4	7/8	7/8	6 1/4	14	7 1/2	12	16 1/4	11	1730	1395
12	12 3/4	7/8	7/8	7 5/16	15 3/4	8 9/16	12	18	13	2400	1793
14	14	1 1/8	1	8 3/8	17 3/4	9 13/16	18	20 1/2	14 1/4	3130	2755
16	16	1 1/4	1	9 1/2	20 9/16	10 15/16	18	23 3/8	16 7/8	3970	3334
18	18	1 1/4	1	10 7/16	22	11 7/8	18	24 7/8	18 5/16	4200	3600
20	20	1 1/4	1 1/4	11 1/2	24	13 3/8	18	27	20 1/4	4550	4660
24	24	1 1/2	1 1/2	13 13/16	28 3/4	16 1/8	20	32	24 1/4	6160	8122
30	30	1 3/4	1 1/2	17 1/4	38 5/8	19 5/8	24	39 3/4	30 1/4	7290	10922

This specification sheet is for reference only. Aimco International Group Corp. reserves the right to make changes to the design without prior notice.

A-FIG 94	Plain
A-FIG 94Z	Zinc
A-FIG 94H	HDG
A-FIG 94SS	SS

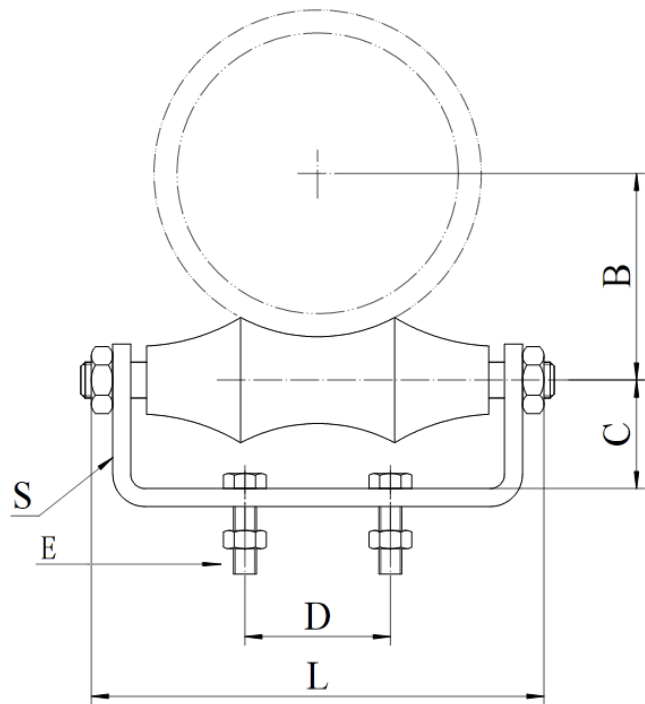
ROLLER CHAIR

FUNCTION: Designed for supporting pipe lines where horizontal movement may take place due to expansion and contraction, where vertical adjustment is not necessary. The chair can be welded directly to the steel structure or secured in place through bolt holes.

APPROVALS: Complies with Manufactures' Standardization Society (MSS) SP-58 & SP-69 (Type 44). Complies with Federal Specifications A-A-1192A (Type 44).

MATERIAL: Cast Iron Roller, with carbon steel Chair, Axle, and Hardware

FINISH: Available in Plain, Zinc Electro-Galvanized, Hot-Dip Galvanized, Stainless Steel



Iron Pipe Size	Specification Data						Rec. Max. Load (lbs.)	Approx. Wt. Per 100 (lbs.)
	B	C	D	E	L	S		
2	1 1/2	1 1/2	1 1/4	3/8	3 7/8	1/4 x 1 1/4	390	106
2 1/2	2	1 5/8	1 1/4	3/8	5	1/4 x 1 1/4	390	144
3	2 1/4	1 3/4	2	3/8	5 3/8	1/4 x 1 1/4	390	163
3 1/2	2 1/2	2	2	3/8	6 1/4	3/8 x 1 1/2	390	252
4	2 7/8	2 1/4	2	1/2	6 3/4	3/8 x 1 1/2	950	288
5	3 3/8	2 1/2	3	1/2	8	3/8 x 1 1/2	950	400
6	3 7/8	2 3/4	3 1/8	1/2	9 1/8	3/8 x 2	950	625
8	5 1/8	3	3 3/8	5/8	11 1/2	3/8 x 2	1350	731
10	6 3/8	3 5/8	5 1/2	5/8	14 1/4	1/2 x 2	1750	1158
12	7 1/2	4 1/8	5 1/2	5/8	16 1/4	1/2 x 2	2400	1525
14	8 3/8	4 11/16	6 1/2	3/4	18	1/2 x 2 1/2	3130	2807
16	9 3/8	5 3/8	8 1/4	3/4	20	1/2 x 3	3970	3493
18	10 7/16	6	9 1/4	3/4	23	1/2 x 3	4200	4435
20	11 5/8	6 1/2	10 1/4	3/4	26	1/2 x 3	4550	5634
24	14	7 7/8	12 1/4	7/8	30	5/8 x 4	6160	8752

This specification sheet is for reference only. Aimco International Group Corp. reserves the right to make changes to the design without prior notice.

A-FIG 94S	Plain
A-FIG 94SZ	Zinc
A-FIG 94SH	HDG
A-FIG 94SSS	SS

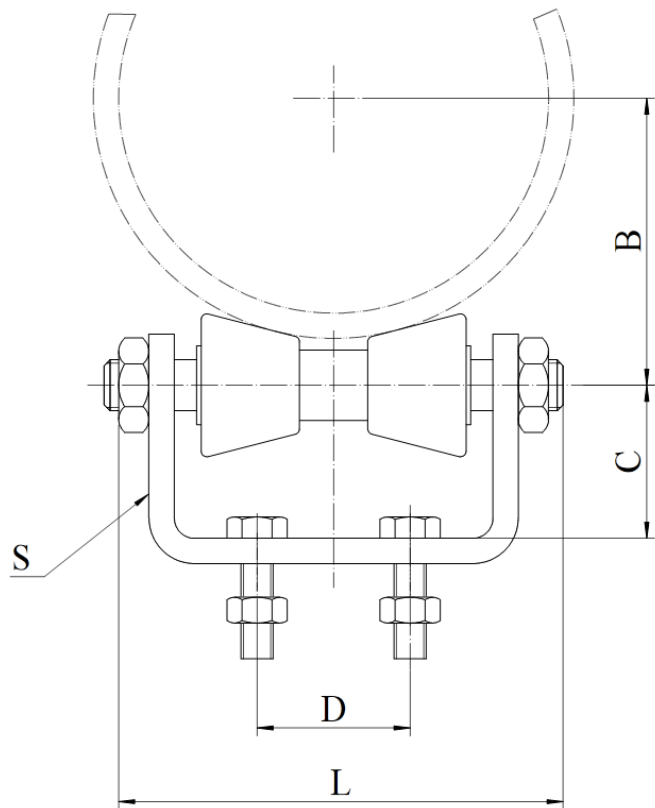
SHORT ROLLER CHAIR

FUNCTION: Designed for supporting pipe lines where horizontal movement may take place due to expansion and contraction, where vertical adjustment is not necessary. The chair can be welded directly to the steel structure or secured in place through bolt holes.

APPROVALS: Complies with Manufactures' Standardization Society (MSS) SP-58 & SP-69 (Type 44). Complies with Federal Specifications A-A-1192A (Type 44).

MATERIAL: Cast Iron Roller, with carbon steel Chair, Axle, and Hardware

FINISH: Available in Plain, Zinc Electro-Galvanized, Hot-Dip Galvanized, Stainless Steel

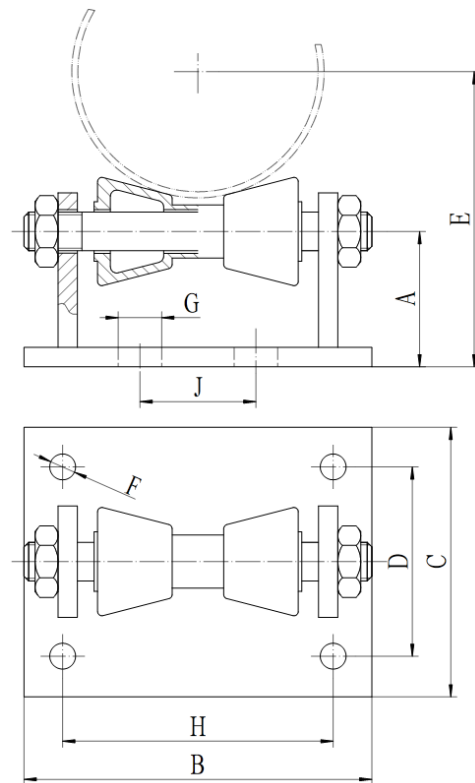


Iron Pipe Size	Specification Data					Rec. Max. Load (lbs.)	Approx. Wt. Per 100 (lbs.)
	B	C	D	L	S		
2	1 3/4	1 3/4	1 3/8	4 1/2	1/4 x 2	390	215
2 1/2	2 1/8	1 3/4	1 3/8	4 1/2	1/4 x 2	390	215
3	2 3/8	1 3/4	1 3/8	4 1/2	1/4 x 2	390	215
3 1/2	2 5/8	1 3/4	1 3/8	4 1/2	1/4 x 2	390	215
4	2 3/4	2 1/16	2	6 1/8	3/8 x 2 1/2	950	410
5	3 3/8	2 1/16	2	6 1/8	3/8 x 2 1/2	950	410
6	4	2 1/16	2	6 1/8	3/8 x 2 1/2	950	410
8	5 1/4	3 7/16	4	8 3/4	3/8 x 3	2100	1060
10	6 3/8	3 7/16	4	8 3/4	3/8 x 3	2100	1060
12	7 1/2	3 7/8	5 3/4	11 1/4	1/2 x 4	3075	2130
14	8 1/8	3 7/8	5 3/4	11 1/4	1/2 x 4	3075	2130

This specification sheet is for reference only. Aimco International Group Corp. reserves the right to make changes to the design without prior notice.

A-FIG 279S	Plain
A-FIG 279SZ	Zinc
A-FIG 279SH	HDG
A-FIG 279SSS	SS

PIPE ROLLER STAND



FUNCTION: Designed for supporting pipe lines where movement may take place due to expansion and contraction, where vertical adjustment is not necessary.

APPROVALS: Complies with Manufactures' Standardization Society (MSS) SP-58 & SP-69 (Type 44). Complies with Federal Specifications A-A-1192A (Type 44).

MATERIAL: Cast Iron Roller, with carbon steel Stand, Axle, and Hardware

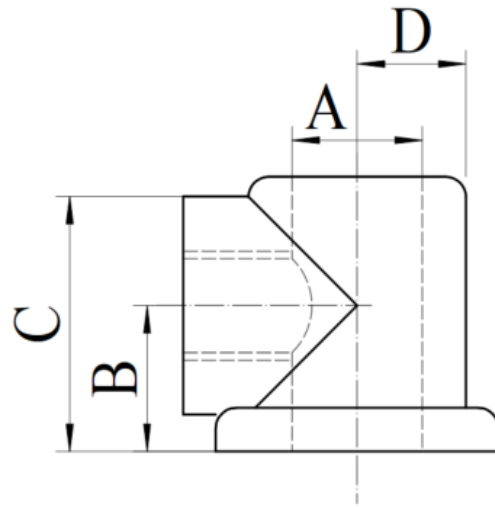
FINISH: Available in Plain, Zinc Electro-Galvanized, Hot-Dip Galvanized, Stainless Steel

Iron Pipe Size	Specification Data									Rec. Max. Load (lbs.)	Approx. Wt. Per 100 (lbs.)
	A	B	C	D	E	F	G	H	J		
2	1 3/4	8 3/8	6	4	3 11/16	9/16	1	6 3/8	3 3/8	390	508
2 1/2	1 3/4	8 3/8	6	4	3 15/16	9/16	1	6 3/8	3 3/8	390	508
3	1 3/4	8 3/8	6	4	4 1/4	9/16	1	6 3/8	3 3/8	390	508
3 1/2	1 3/4	8 3/8	6	4	4 1/2	9/16	1	6 3/8	3 3/8	390	508
4	2	9 7/8	6	4 1/4	5	9/16	1	7 7/8	4 3/4	950	631
5	2	9 7/8	6	4 1/4	5 9/16	9/16	1	7 7/8	4 3/4	950	631
6	2	9 7/8	6	4 1/4	6 1/16	9/16	1	7 7/8	4 3/4	950	631
8	3 3/8	8 5/8	8	5	8 13/16	11/16	1	7	4	2100	1365
10	3 3/8	8 5/8	8	5	9 7/8	11/16	1	7	4	2100	1365
12	3 7/8	11	8	6	11 7/16	13/16	1	9	5 3/4	3075	2100
14	3 7/8	11	8	6	12 1/6	13/16	1	9	5 3/4	3075	2100
16	4 1/4	12 3/8	10	6 1/2	13 5/8	13/16	1	10 3/8	6 3/4	4980	3423
18	4 1/4	12 3/8	10	6 1/2	14 11/16	13/16	1	10 3/8	6 3/4	4980	3423
20	4 1/4	12 3/8	10	6 1/2	15 11/16	13/16	1	10 3/8	6 3/4	4980	3423
24	4 3/8	13 1/2	10	6 1/2	17 11/16	13/16	1	11 1/2	7 1/2	6100	4000
30	5 1/8	17	10	7 3/4	21 3/4	1 1/16	1	14 1/4	10	7500	7132
36	5 3/4	20	12	9	25 3/4	1 3/8	1	17	12	12000	14700
42	5 3/4	20	12	9	28 7/8	1 3/8	1	17	12	12000	14700

This specification sheet is for reference only. Aimco International Group Corp. reserves the right to make changes to the design without prior notice.

A-FIG 95ES	Plain
A-FIG 92ESZ	Zinc
A-FIG 92ESH	HDG
A-FIG 92ESSS	SS

PIPE ROLLER END SOCKET



FUNCTION: Designed for use with A-FIG 92 Long Pipe Roll.

MATERIAL: Gray Iron ASTM A-48 CLASS 25A

FINISH: Available in Plain, Zinc Electro-Galvanized, Hot-Dip Galvanized, Stainless Steel

Socket Number	Specification Data						Approx. Wt. Per 100 (lbs.)
	Rod Size A	Use with Pipe Roller Size	Axle Size	B	C	D	
1	3/8	1 to 2	3/8	5/8	1	11/16	12
2	1/2	2 1/2 to 3 1/2	1/2	3/4	1 1/4	11/16	27
2A	5/8	4	1/2	7/8	1 1/4	13/16	25
3	5/8	5	5/8	1	1 9/16	1	53
4	3/4	6	3/4	1 1/4	1 13/16	1 1/8	92
5	7/8	8 to 10	7/8	1 1/4	2 1/8	1 1/8	144
6	7/8	12	1	1 3/8	2 1/4	1 3/8	134
7	1	14	1 1/8	1 3/4	2 3/8	1 3/8	203
8	1	16 to 18	1 1/4	1 13/16	3	1 5/8	260
8A	1 1/4	20	1 1/4	1 13/16	3	1 5/8	256
9B	1 1/2	24	1 1/2	2 3/16	3 3/8	2 1/16	496
10	1 1/2	30	1 3/4	2 9/16	4	2 5/16	694

This specification sheet is for reference only. Aimco International Group Corp. reserves the right to make changes to the design without prior notice.

Section 10: EPDM Rubber Lined Clamps

A-4300

Zinc

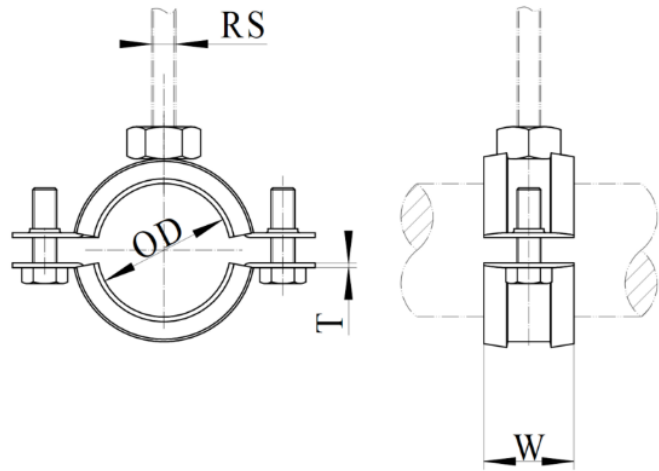
2-BOLT RUBBER LINED CLAMP

FUNCTION: Designed to prevent vibration, noise, and metal to metal contact in application. Versatile, cost effective two-bolt style EPDM rubber lined clamp. Features easy closing mechanism. Age resistant lining designed specifically for plastic pipe applications. Low friction properties allow for expansion, contraction and easy sliding of pipe. Category II noise reduction according to DIN EM ISO 3822-1. Compliant for sound insulation design according to DIN 4109.

APPROVALS: Complies with Manufactures' Standardization Society (MSS) SP-58 & SP-69 (Type 12).

MATERIAL: Steel and EPDM Rubber Liner

FINISH: Zinc Electro-Galvanized



Iron Pipe Size	Plastic Pipe Size	Specification Data				Rec. Max. Load (lbs.)
		OD	RS	W	T	
1/2	20mm	0.787	3/8	1 3/16	1/16	250
3/4	25mm	0.984	3/8	1 3/16	1/16	250
1	32mm	1.260	3/8	1 3/16	1/16	250
1 1/4	40mm	1.575	3/8	1 3/16	1/16	250
1 1/2	50mm	1.902	3/8	1 3/16	1/16	380
2	63mm	2.374	3/8	1 3/16	1/16	380
2 1/2	75mm	2.874	3/8	1 3/16	1/16	380
3	90mm	3.500	3/8	1 3/16	1/16	380
3 1/2	110mm	4.000	3/8	1 3/16	3/32	440
4	125mm	4.331	3/8	1 3/16	3/32	440
5	-	5.512	3/8	1 3/16	3/32	440

This specification sheet is for reference only. Aimco International Group Corp. reserves the right to make changes to the design without prior notice.

A-454

Zinc

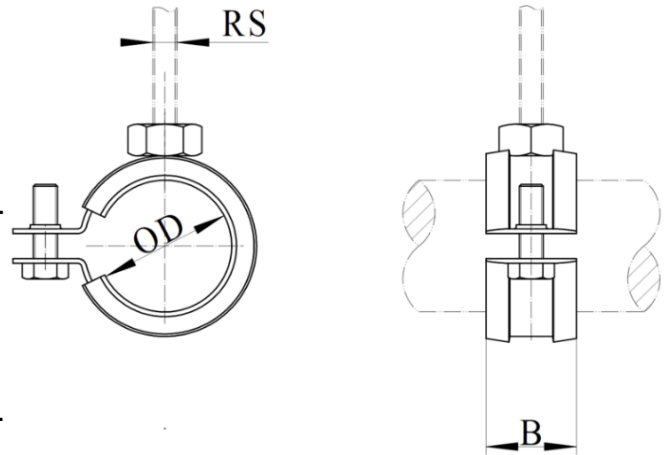
SUPERFIX STANDARD DUTY

FUNCTION: Designed to prevent vibration, noise, and metal to metal contact in application. Versatile, cost effective hinged style EPDM rubber lined clamp. Features easy closing design for steel pipes and copper tubes. Unique hinged design eliminates the need to disassemble the clamp prior to installation. Clamp can be closed with one hand. Design of the closing mechanism retains strength even when exposed to heat. Category II noise reduction according to DIN EM ISO 3822-1. Compliant for sound insulation design according to DIN 4109.

APPROVALS: Complies with Manufactures' Standardization Society (MSS) SP-58 & SP-69 (Type 12).

MATERIAL: Steel and EPDM Rubber Liner

FINISH: Zinc Electro-Galvanized



Pipe Size	Copper Tube Size	Specification Data			Rec. Max. Load (lbs.)
		OD	RS	B	
1/4	3/8	0.472 - 0.551	3/8	29/32	180
3/8	1/2	0.591 - 0.748	3/8	29/32	180
-	5/8	0.750 - 0.828	3/8	29/32	180
1/2	3/4	0.827 - 0.906	3/8	29/32	180
3/4	1	1.024 - 1.102	3/8	29/32	180
1	1 1/4	1.260 - 1.378	3/8	29/32	180
1 1/4	1 1/2	1.575 - 1.693	3/8	29/32	180
1 1/2	-	1.890 - 2.047	3/8	29/32	180
-	2	2.125 - 2.283	3/8	15/16	180
2	-	2.244 - 2.402	3/8	29/32	180
-	2 1/2	2.480 - 2.638	3/8	29/32	300
2 1/2	-	2.744 - 2.874	3/8	15/16	300
-	3	2.906 - 3.156	3/8	15/16	300
3	-	3.268 - 3.583	3/8	15/16	300
-	3 1/2	3.625 - 3.937	3/8	29.32	300
3 1/2	4	3.976 - 4.173	3/8	1 1/8	300
4	-	4.252 - 4.488	3/8	1 1/8	300

This specification sheet is for reference only. Aimco International Group Corp. reserves the right to make changes to the design without prior notice.

Section 11: Miscellaneous Products

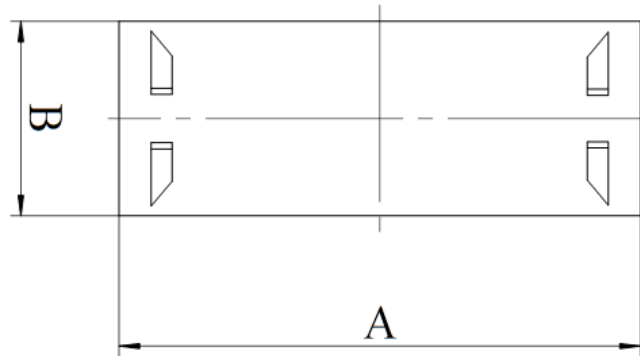
A-FIG 501	Plain
A-FIG 501Z	Zinc

STUD PLATE

FUNCTION: Designed to apply to wooden stud to protect plumbing and electrical lines from drywall screws and other fasteners.

MATERIAL: Carbon Steel

FINISH: Available in Plain and Zinc Electro-Galvanized



Length A	Specification Data		Approx. Wt. Per 100 (lbs.)
	B	Material	
3	1 1/2	18Ga	6
4	1 1/2	18Ga	8
6	1 1/2	18Ga	11
8	1 1/2	18Ga	15

This specification sheet is for reference only. Aimco International Group Corp. reserves the right to make changes to the design without prior notice.

A-FIG 395

Zinc

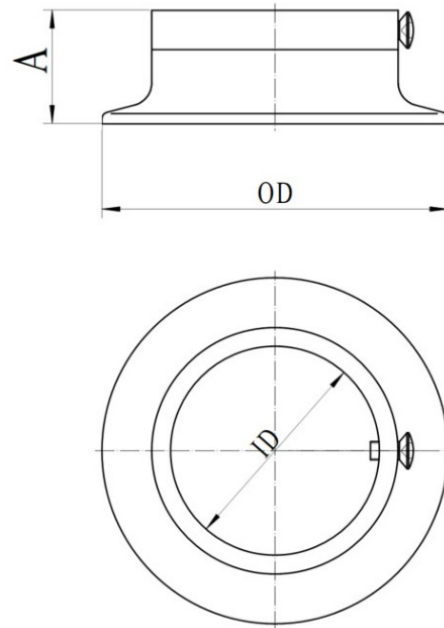
CAST IRON WALL PLATE

FUNCTION: Designed to provide finished appearance where pipe enters wall, ceiling or floor. Designed for light stabilization of pipe penetrating wall, ceiling or floor structures. Designed to resist corrosion, and is provided with a set screw to keep the wall plate in place.

MATERIAL: Malleable Iron

FINISH: Zinc Electro-Galvanized

NOTE: It is necessary to use one wall plate on each side of the wall or floor to secure the pipe from additional movement.



Pipe Size	Specification Data			Approx. Wt. Per 100 (lbs.)
	ID	OD	A	
1	2 7/16	3 3/4	1	41
1 1/4	1 11/16	4	1	51
1 1/2	1 15/16	4 1/4	1	55
2	2 7/16	4 11/16	1	67
2 1/2	2 15/16	5 1/2	1	93
3	3 5/8	6	1 1/8	110
4	4 9/16	7 1/16	1 1/8	140
6	6 3/4	9 3/4	1 1/4	310

This specification sheet is for reference only. Aimco International Group Corp. reserves the right to make changes to the design without prior notice.

Technical Data

Schedule 40 Steel Pipe Data

Nominal Pipe Size	Pipe O.D.	Wall Thickness	Weight of Pipe (lbs./ft.)	Weight of Pipe Filled with Water (lbs./ft.)	Maximum Span (ft.)	Recommended Hanger Rod Sizes
3/8	0.675	0.091	0.6	0.7	7'	3/8-16
1/2	0.84	0.109	0.8	0.9	7'	3/8-16
3/4	1.05	0.113	1.1	1.3	7'	3/8-16
1	1.315	0.133	1.7	2.1	7'	3/8-16
1 1/4	1.66	0.14	2.3	2.9	7'	3/8-16
1 1/2	1.9	0.145	2.7	3.6	9'	3/8-16
2	2.375	0.154	3.6	5.0	10'	3/8-16
2 1/2	2.875	0.203	5.8	7.9	11'	1/2-13
3	3.5	0.216	7.6	10.8	12'	1/2-13
3 1/2	4.0	0.226	9.1	13.4	13'	1/2-13
4	4.5	0.237	10.8	16.3	14'	5/8-11
5	5.563	0.258	14.6	23.2	16'	5/8-11
6	6.625	0.28	19.0	31.5	17'	3/4-10
8	8.625	0.322	28.5	50.1	19'	3/4-10
10	10.75	0.365	40.5	74.6	22'	7/8-9
12	12.75	0.406	51.1	102.1	23'	7/8-9
14	14.0	0.437	63.0	121.5	25'	1-8
16	16.0	0.50	83.0	159.5	27'	1-8
18	18.0	0.563	105.0	202.2	28'	1-8
20	20.0	0.539	123.0	243.4	30'	1 1/4-7
24	24.0	0.687	171.0	345.2	32'	1 1/4-7

All dimensions are in inches unless otherwise noted.

Schedule 80 Steel Pipe Data

Nominal Pipe Size	Pipe O.D.	Wall Thickness	Weight of Pipe (lbs./ft.)	Weight of Pipe Filled with Water (lbs./ft.)	Maximum Span (ft.)	Recommended Hanger Rod Sizes
3/8	0.675	0.126	0.7	0.8	7'	3/8-16
1/2	0.84	0.147	1.1	1.2	7'	3/8-16
3/4	1.05	0.154	1.5	1.7	7'	3/8-16
1	1.315	0.179	2.2	2.5	7'	3/8-16
1 1/4	1.66	0.191	3.0	3.5	7'	3/8-16
1 1/2	1.90	2.00	3.6	4.3	9'	3/8-16
2	2.375	0.218	5.0	6.3	10'	3/8-16
2 1/2	2.875	0.276	7.6	9.4	11'	1/2-13
3	3.50	0.30	10.2	13.0	12'	1/2-13
3 1/2	4.00	0.318	12.5	16.3	13'	1/2-13
4	4.50	0.337	15.0	20.0	14'	5/8-11
5	5.563	0.375	20.8	28.7	16'	5/8-11
6	6.625	0.432	28.6	39.9	17'	3/4-10
8	8.625	0.50	43.4	63.1	19'	3/4-10
10	10.75	0.593	64.4	95.5	22'	7/8-9
12	12.75	0.687	88.6	132.6	23'	7/8-9
14	14.00	0.75	107.0	158.2	25'	1-8
16	16.00	0.843	137.0	206.7	27'	1-8
18	18.00	0.937	171.0	259.5	28'	1-8
20	20.00	1.031	209.0	318.4	30'	1 1/4-7
24	24.00	1.218	297.0	455.2	32'	1 1/4-7

All dimensions are in inches unless otherwise noted.

AWWA Ductile Iron Pipe Data

Nominal Pipe Size	Class	O.D. of Ductile Iron Pipe	Wall Thickness	Weight of Pipe (lbs./ft.)	Weight of Pipe Filled with Water (lbs./ft.)
3	53	3.96	0.31	11.2	15.0
4	53	4.80	0.32	14.2	20.1
6	53	6.90	0.34	22.0	35.1
8	53	9.05	0.36	31.0	54.0
10	53	11.10	0.38	40.4	76.8
12	53	13.20	0.40	50.7	103.0
14	53	15.30	0.42	62.4	133.5
16	53	17.40	0.43	72.8	165.9
18	53	19.50	0.44	83.6	201.5
20	53	21.60	0.45	95.2	241.0
24	53	25.80	0.47	119.2	329.4
30	53	32.00	0.51	161.3	487.8
36	53	38.30	0.58	219.5	688.8
42	53	44.50	0.65	285.2	920.1
48	53	50.80	0.72	360.3	1189.2
54	53	57.10	0.81	455.0	1502.2

All dimensions are in inches unless otherwise noted.

Copper Tubing (Type L) Data

Nominal Tubing Size	O.D. Size	Wall Thickness	Weight of Tubing (lbs./ft.)	Weight of Tubing Filled with Water (lbs./ft.)
1/4	0.375	0.03	0.12	0.15
3/8	0.50	0.035	0.20	0.26
1/2	0.625	0.04	0.28	0.38
5/8	0.75	0.042	0.36	0.51
3/4	0.875	0.045	0.45	0.66
1	1.125	0.05	0.65	1.01
1 1/4	1.375	0.055	0.88	1.42
1 1/2	1.625	0.06	1.14	1.91
2	2.125	0.07	1.75	3.09
2 1/2	2.625	0.08	2.48	4.54
3	3.125	0.09	3.33	6.28
3 1/2	3.625	0.10	4.29	8.28
4	4.125	0.11	5.38	10.57
5	5.125	0.125	7.61	15.69
6	6.125	0.14	10.20	21.81
8	8.125	0.20	19.29	39.49

Copper Tubing (Type K) Data

Nominal Tubing Size	O.D. Size	Wall Thickness	Weight of Tubing (lbs./ft.)	Weight of Tubing Filled with Water (lbs./ft.)
1/4	0.375	0.035	0.14	0.17
3/8	0.50	0.049	0.27	0.32
1/2	0.625	0.049	0.34	0.43
5/8	0.75	0.049	0.42	0.56
3/4	0.875	0.065	0.64	0.83
1	1.125	0.065	0.84	1.18
1 1/4	1.375	0.065	1.04	1.57
1 1/2	1.625	0.072	1.36	2.10
2	2.125	0.083	2.06	3.37
2 1/2	2.625	0.095	2.92	4.92
3	3.125	0.109	4.00	6.92
3 1/2	3.625	0.12	5.12	9.02
4	4.125	0.134	6.51	11.57
5	5.125	0.16	9.67	17.67
6	6.125	0.192	13.87	25.07
8	8.125	0.271	25.90	45.40

All dimensions are in inches unless otherwise noted.

Recommended Hanger Spacing and Rod Size for Copper Tubing

Nominal Tubing Size	Maximum Span (ft.)	Recommended Hanger Rod Size
1/2	5'	3/8-16
3/4	5'	3/8-16
1	6'	3/8-16
1 1/4	7'	3/8-16
1 1/2	8'	3/8-16
2	8'	3/8-16
2 1/2	9'	1/2-13
3	10'	1/2-13
3 1/2	11'	1/2-13
4	12'	1/2-13
5	13'	1/2-13
6	14'	5/8-11
8	16'	3/4-10

Regular Schedule Glass Pipe Data

Nominal Pipe Size	O.D. Size	Wall Thickness	Weight of Pipe (lbs./ft.)	Weight of Pipe Filled with Water (lbs./ft.)
1 1/2	1.84	0.12	0.6	1.5
2	2.34	0.14	0.9	2.3
3	3.41	0.17	1.6	4.8
4	4.53	0.20	2.6	8.4
6	6.66	0.24	4.7	17.5

Heavy Schedule Glass Pipe Data

Nominal Pipe Size	O.D. Size	Wall Thickness	Weight of Pipe (lbs./ft.)	Weight of Pipe Filled with Water (lbs./ft.)
1	1.31	0.16	0.6	0.9
1 1/2	1.84	0.17	0.8	1.5
2	2.34	0.17	1.1	2.4
3	3.41	0.20	2,0	5,0
4	4.53	0.26	3.4	8.8
6	6.66	0.33	6.3	18.7

All dimensions are in inches unless otherwise noted.

Schedule 40 PVC Plastic Pipe Data

Nominal Pipe Size	Pipe O.D.	Wall Thickness	Weight of Pipe (lbs./ft.)	Weight of Pipe Filled with Water (lbs./ft.)
1/8	0.405	0.068	0.04	0.06
1/4	0.54	0.088	0.07	0.11
3/8	0.675	0.091	0.10	0.18
1/2	0.84	0.109	0.15	0.25
3/4	1.05	0.113	0.20	0.40
1	1.315	0.133	0.30	0.70
1 1/4	1.66	0.14	0.40	1.00
1 1/2	1.90	0.145	0.50	1.40
2	2.375	0.154	0.60	2.00
2 1/2	2.875	0.203	1.00	3.10
3	3.50	0.216	1.30	4.50
3 1/2	4.00	0.226	1.60	5.90
4	4.50	0.237	1.90	7.40
5	5.563	0.258	2.80	11.40
6	6.625	0.28	3.30	15.40
8	8.625	0.322	5.30	26.90
10	10.75	0.366	7.50	41.60
12	12.75	0.406	10.00	58.50

Schedule 80 PVC Plastic Pipe Data

Nominal Pipe Size	Pipe O.D.	Wall Thickness	Weight of Pipe (lbs./ft.)	Weight of Pipe Filled with Water (lbs./ft.)
1/8	0.405	0.095	0.05	0.06
1/4	0.54	0.119	0.09	0.12
3/8	0.675	0.126	0.10	0.16
1/2	0.84	0.147	0.10	0.20
3/4	1.05	0.154	0.20	0.40
1	1.315	0.179	0.40	0.70
1 1/4	1.66	0.191	0.50	1.00
1 1/2	1.90	0.20	0.60	1.30
2	2.375	0.218	0.90	2.20
2 1/2	2.875	0.276	1.30	3.10
3	3.50	0.30	1.80	4.60
3 1/2	4.00	0.318	2.20	6.00
4	4.50	0.337	2.60	7.60
5	5.563	0.375	4.10	12.00
6	6.625	0.432	5.00	16.30
8	8.625	0.50	8.00	27.80
10	10.75	0.593	11.90	43.20
12	12.75	0.687	16.30	60.30

All dimensions are in inches unless otherwise noted.

Spacing of Hangers for Schedule 40 PVC Plastic Pipe Data

Temperature	Support Spacing in Feet for Pipe Size of						
	1/2 to 3/4	1 to 1 1/4	1 1/2 to 2	2 1/2	3	4	6
-7°C (20°F)	5.00	5.50	5.80	6.66	6.80	7.33	7.80
4°C (40°F)	4.75	5.25	5.50	6.33	6.50	7.00	7.50
16°C (60°F)	4.50	5.00	5.25	6.00	6.25	6.50	7.00
27°C (80°F)	4.25	4.66	5.00	5.50	5.80	6.25	6.80
38°C (100°F)	4.00	4.33	4.66	5.25	5.50	5.80	6.33
43°C (110°F)	3.75	4.00	4.33	4.80	5.25	5.50	5.80
49°C (120°F)	3.33	3.75	3.80	4.50	4.75	5.00	5.33
54°C (130°F)	3.00	3.33	3.50	4.00	4.25	4.50	4.80
60°C (140°F)	2.66	2.80	3.00	3.50	3.66	3.80	4.25
66°C (150°F)	2.00	2.25	2.50	2.80	3.00	3.25	3.50

Spacing of Hangers for Schedule 80 PVC Plastic Pipe Data

Temperature	Support Spacing in Feet for Pipe Size of							
	1/2 to 3/4	1	1 1/4 to 1 1/2	2	2 1/2	3	4	6
-7°C (20°F)	5.75	6.33	6.66	7.00	7.80	8.20	8.66	9.80
4°C (40°F)	5.50	6.00	6.33	6.50	7.50	7.75	8.25	9.33
16°C (60°F)	5.25	5.75	6.00	6.25	7.00	7.33	7.80	8.80
27°C (80°F)	4.80	5.33	5.66	6.00	6.66	7.00	7.33	8.33
38°C (100°F)	4.50	5.00	5.25	5.50	6.33	6.50	6.80	7.80
43°C (110°F)	4.33	4.60	4.80	5.12	5.80	6.00	6.33	7.33
49°C (120°F)	3.80	4.33	4.50	4.75	5.33	5.50	5.80	6.50
54°C (130°F)	3.50	3.80	4.00	4.33	4.75	5.00	5.25	6.00
60°C (140°F)	3.00	3.33	3.50	3.66	4.25	4.33	4.66	5.12
66°C (150°F)	2.50	2.75	3.00	3.12	3.33	3.50	3.75	4.25

All dimensions are in inches unless otherwise noted.

Rod Size as Determined by Steel Pipe Size for Fire Protection

Steel Pipe Size	Maximum Span (ft.)	Rod Size
1 to 1 1/4	12'	3/8-16
1 1/2 to 4	15'	3/8-16
5 to 8	15'	1/2-13
10 to 12	15'	5/8-11

Rod Size as Determined by Copper Tubing Size for Fire Protection

Copper Tubing Size	Maximum Span (ft.)	Rod Size
3/4 to 1	8'	3/8-16
1 1/4 to 1 1/2	15'	3/8-16
2 to 3	15'	3/8-16
3 1/4 to 4	15'	3/8-16
5 to 8	15'	1/2-13

Hanger Rod Load Capacities – Hot Rolled Steel Rod

Rod Dia.	Max. Rated Load (lbs.)	Root Area	Weight per Foot (lbs.)	Nominal Pipe Size
3/8	610	0.068	0.376	1/2 to 2
1/2	1130	0.126	0.668	2 1/2 to 3
5/8	1810	0.202	1.04	4 to 5
3/4	2710	0.302	1.50	6 to 8
7/8	4960	0.552	2.67	10 to 18
1 1/8	8000	0.889	4.17	20 to 24

All dimensions are in inches unless otherwise noted.

Conversion Factors for Units of Measurement

Imperial to Metric

Metric to Imperial

Convert From	To	Multiply By
Length		
Inch	Millimeter	25.4000
Foot	Meter	0.3048
Yard	Meter	0.9144
Mile	Kilometer	1.6093
Area		
Square Inch	Square Millimeter	645.1600
Square Foot	Square Meter	0.0929
Square Yard	Square Meter	0.8361
Square Mile	Square Kilometer	2.5900
Acre	Square Meter	4046.8730
Acre	Hectare	0.4047
Volume		
Cubic Inch	Cubic Millimeter	16387.0600
Cubic Foot	Cubic Meter	0.0283
Cubic Yard	Cubic Meter	0.7646
Gallon	Liter	3.7854
Quart	Liter	0.9463
Mass		
Ounce	Gram	28.350
Pound	Kilogram	0.4540
Short Ton	Kilogram	907.1850
Force		
Ounce-Force	Newton	0.2780
Pound-Force	Newton	4.4482
Bending Moment		
Pound-Force-Inch	Newton-Meter	0.1130
Pound-Force-Foot	Newton-Meter	1.3558
Pressure, Stress		
Pound-Force per Square Inch	Kilopascal	6.8948
Foot of Water (39.2 F)	Kilopascal	2.9890
Inch of Mercury (32 F)	Kilopascal	3.3864
Energy, Work, Heat		
Foot-Pound-Force	Joule	1.3558
British Thermal Unit	Joule	1055.0560
Calorie	Joule	4.1870
Kilowatt Hour	Joule	3,600,000
Power		
Foot-Pound-Force/Second	Watt	1.3558
British Thermal Unit/Hour	Watt	0.2931
Horsepower	Kilowatt	0.7457
Angle		
Degree	Radian	0.0175
Temperature		
Degree Fahrenheit	Degree Celsius	(F°-32)/1.8

Convert From	To	Multiply By
Length		
Millimeter	Inch	0.0394
Meter	Foot	3.2808
Meter	Yard	1.0936
Kilometer	Mile	0.6214
Area		
Square Millimeter	Square Inch	0.0016
Square Meter	Square Foot	10.7639
Square Meter	Square Yard	1.1960
Square Kilometer	Square Mile	0.3861
Square Meter	Acre	0.0002
Hectare	Acre	2.4710
Volume		
Cubic Millimeter	Cubic Inch	0.000061
Cubic Meter	Cubic Foot	35.3147
Cubic Meter	Cubic Yard	1.3080
Liter	Gallon	0.2642
Liter	Quart	1.0567
Mass		
Gram	Ounce	0.0353
Kilogram	Pound	2.2046
Kilogram	Short Ton	0.0011
Force		
Newton	Ounce-Force	3.5970
Newton	Pound-Force	0.2248
Bending Moment		
Newton-Meter	Pound-Force-Inch	8.8507
Newton-Meter	Pound-Force-Foot	0.7376
Pressure, Stress		
Kilopascal	Pound-Force per Square Inch	0.1450
Kilopascal	Foot of Water (39.2 F)	0.3346
Kilopascal	Inch of Mercury (32 F)	0.2953
Energy, Work, Heat		
Joule	Foot-Pound-Force	0.7376
Joule	British Thermal Unit	0.0009
Joule	Calorie	0.2389
Joule	Kilowatt Hour	2.7800
Power		
Watt	Foot-Pound-Force/Second	0.7376
Watt	British Thermal Unit/Hour	3.4121
Kilowatt	Horsepower	1.3410
Angle		
Radian	Degree	57.2958
Temperature		
Degree Celsius	Degree Fahrenheit	1.8xC°+32

All dimensions are in inches unless otherwise noted.